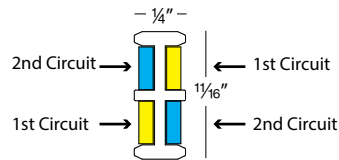
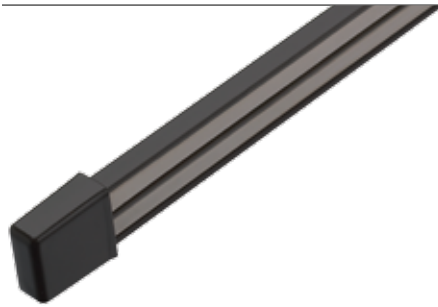


# DUORAIL™

## Rail Systems

# WAC LIGHTING

Responsible Lighting®



Fixture Type:

Catalog Number:

Project:

Location:

### PRODUCT DESCRIPTION

Offering the sleek look of a monorail, but engineered for more capacity and control, Duorail™ features two circuits that can be independently switched or dimmed. Duorail™ is the thinnest two-circuit low voltage system in the industry at just 1/16" tall and a 1/4" wide and maintains a maximum capacity of 50 amperes for demanding rail applications. Each circuit uses up to 300 watts at 12 volts or 600 watts at 24 volts. For large applications both circuits can be switched together for up to 1,200 watts at 24 volts. Precision fabricated brass components and electroplated solid copper conductors ensure durability and reliability.

### FEATURES

- Maximum load carrying capacity of 600W at 12V and 1,200W at 24V, with the ability to individually control each circuit
- Can be suspended from ceiling with cable or rigid standoffs. An optional rail bending tool (HM1-BM) is available for field bending when precise control and very smooth curves are desired.
- A variety of designs can be achieved by using various connectors. Some are electrically conductive, others join rails mechanically but not electrically. Dead End Connectors allow you to connect runs together mechanically that exceed the max wattage per circuit.
- May be field cut. See supplied instructions for further details.
- Quick Connect™ transformer attaches to rail and accepts all Quick Connect™ fixtures and pendants with low voltage adapter (LM2-QADP).
- 5 year WAC Lighting product warranty.

### SPECIFICATIONS

**Materials:** Duorail™ is composed of four 2mm thick copper bus wires with a 1.5mm thick polycarbonate core. Each rail also includes two matching polycarbonate endcaps.

**Electrical:** 2 circuit, 12 volt or 24 volt.

**Transformers:** Surface mount magnetic- high wattage capacity. Remote mount magnetic- larger capacities, minimize voltage drop if located within 10 feet of power feed.

**Mounting:** Determine the ceiling type. Select standoffs that match the height of the power feed component or surface mount transformer. Minimum three supports for 8 foot section, two for 4 foot section. Custom length suspensions are possible by using cables or suspension rods with rod couplers.

**Standards:** UL & CUL listed

### SAMPLE LAYOUT

A	<b>SRT-300M-12V</b>	Single circuit magnetic transformer
B	<b>LM2-T8</b>	Rail section
C	<b>LM2-X3</b>	Standoff (matches powerfeed)
D	<b>LM2-I</b>	"I" connector
E	<b>LM2-EC</b>	End cap (2 supplied with every track)
F	<b>LM2-QADP</b>	Quick Connect™ adapter
G	<b>QP518</b>	Quick Connect™ pendant
H	<b>QF-182</b>	Quick Connect™ fixture
I	<b>LM2-CPC</b>	Two circuit power feed

### ORDER NUMBER

Model	Length	Finish
LM2	T4 4'	BN Brushed Nickel
	T8 8'	DB Dark Bronze

Includes two matching end caps.

**LM2** -  -

Example: **LM2-T4-DB**

### WAC Lighting

www.waclighting.com

Phone (800) 526.2588 • Fax (800) 526.2585

### Headquarters/Eastern Distribution Center

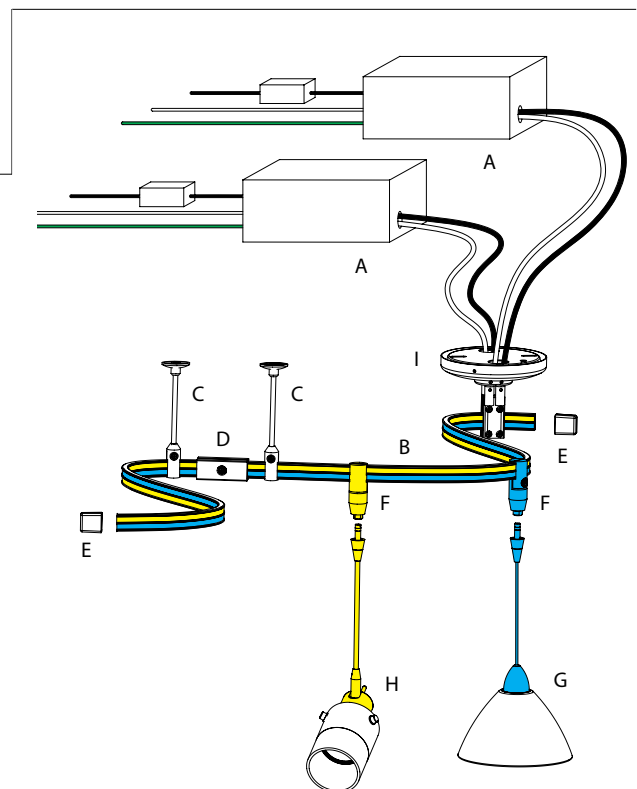
44 Harbor Park Drive • Port Washington, NY 11050

Phone (516) 515.5000 • Fax (516) 515.5050

### Western Distribution Center

1750 Archibald Avenue • Ontario, CA 91760

Phone (800) 526.2588 • Fax (800) 526.2585



# DUORAIL™

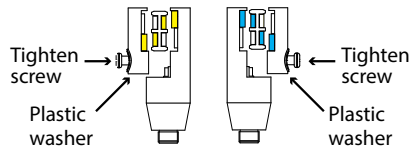
## Rail Systems

# WAC LIGHTING

Responsible Lighting®

### Quick Connect™ Adapter for Duorail™

The threaded male adapter makes compatibility a snap. Simply insert the metal fitting into the system adapter, hand tighten the collar and you're done!



Model #	Finish	
<b>LM2-QADP</b>	<b>BN</b>	<i>Brushed Nickel</i>
	<b>DB</b>	<i>Dark Bronze</i>

Example: **LM2-QADP-BN**  
Order one per Quick Connect™ fixture or pendant used.

### Surface Mount with Integrated Transformer

Magnetic transformers are an excellent choice when displaying with LED lamps and fixtures where minimum load may be a concern

#### Magnetic Transformer



<b>LM2-EN12-300M</b>	<b>BN</b>	<i>Brushed Nickel</i>
	<b>DB</b>	<i>Dark Bronze</i>

12V, 2 × 150W    Ø 9"

Use with standard (LM2-X8) standoff. Separate input leads for separate switching, or wire together for maximizing load capacity.

#### Magnetic Transformer



<b>LM2-EN12-500M</b>	<b>BN</b>	<i>Brushed Nickel</i>
	<b>DB</b>	<i>Dark Bronze</i>

12V, 2 × 250W    Ø 10½"

Use with standard (LM2-X8) standoff. Separate input leads for separate switching, or wire together for maximizing load capacity.

**Voltage Drop Guidelines:** Run length: 40'

**Voltage Drop Guidelines:** Run length: 40'

### Sloped Ceiling Feed



<b>LM2-SCP48</b>	<b>BN</b>	<i>Brushed Nickel</i>	48"
	<b>DB</b>	<i>Dark Bronze</i>	96"

Feed two 25A max circuits. Use with surface mounted transformer. Use at any angle, easily shortened. Includes two LM-RI couplers.

### Debuzzing Coil



<b>LM-DBC12-150</b>	12V, 150W	Ø 2¾"
<b>LM-DBC12/24-300</b>	12V/24V, 300W	Ø 2¾"
<b>LM-DBC12/24-600</b>	12V/24V, 600W	Ø 4¾"

All magnetic transformers emit a small amount of buzzing. Our magnetic surface-mounted transformers have a built-in debuzzing coil, which substantially reduces the buzzing. If the buzzing noise is still noticeable, a separate debuzzing coil may be wired in series on the 120 volt input line. Select the correct debuzzing coil based on the wattage of the transformer.

### Power Feeds (For use with remote transformers)

#### Two Circuit Power Feed



<b>LM2-CPC</b>	<b>BN</b>	<i>Brushed Nickel</i>	Ø 4½"
	<b>DB</b>	<i>Dark Bronze</i>	

Feeds two 25A max circuits. Use with 3" standoff (LM2-X3).

#### Four Circuit Power Feed



<b>LM2-DCPC</b>	<b>BN</b>	<i>Brushed Nickel</i>	Ø 5½"
	<b>DB</b>	<i>Dark Bronze</i>	

Feeds Four 25A max power feeds. Order with a dead end "I" connector (LM2-IDEC). Use with 3" standoff (LM2-X3).

#### Cable Power Feed



<b>LM2-PCS48</b>	<b>BN</b>	<i>Brushed Nickel</i>	Ø 4½ × 48"
	<b>DB</b>	<i>Dark Bronze</i>	Ø 4½ × 96"

Feeds two 25A max circuits. Use on sloped ceilings with remote transformers.

### Remote Transformers









Watt	12 Volts	Breakers	24 Volts	Breakers	L	W	H
300W	<b>SRT-300M-12V</b>	1	<b>SRT-300M-24V</b>	1	10¾"	4¼"	4⅞"
600W	<b>SRT-600M-12V</b>	2	<b>SRT-600M-24V</b>	1	11½"	6⅞"	5⅞"
					12½"	6⅞"	5⅞"







### Voltage Drop Guidelines (based on 10 gauge wire)

Model #	Run length	Distance to power feed
SRT-300M-12V	40' max	10ft max
SRT-600M-12V	2 × 40' max	10ft max
SRT-300M-24V	40' max	10ft max
SRT-600M-24V	40' max	10ft max

On a full load voltage drop can cause a system to exceed the 25A rating. Guidelines assist with layouts only. When installing a 12V system, ensure that a min. of 12V is supplied at power feeds. 10AWG wire should be used with remote transformers. Multi-tap output terminals (remote magnetic transformers) help make up for voltage drop before the power feed. Use a tester to verify no less than 11V is found at the end of the run and no more 25A is being drawn from the power feed.

Rail Suspension	Model #	Finish	Dimensions	Description
Standard Ceiling Standoff 	<b>LM2-X3</b> <b>LM2-X5</b> <b>LM2-X8</b>	<b>BN</b> <i>Brushed Nickel</i> <b>DB</b> <i>Dark Bronze</i>	3" 5¼" 8"	<i>Supports rail for flat ceilings and surfaces.</i>
T-Bar Ceiling Standoff 	<b>LM2-TB3</b> <b>LM2-TB5</b> <b>LM2-TB8</b>	<b>BN</b> <i>Brushed Nickel</i> <b>DB</b> <i>Dark Bronze</i>	3" 5¼" 8"	<i>Conceals a T-Bar clip under the canopy for standard 1" T-Bar ceilings.</i>
Sloped Ceiling Standoff 	<b>LM2-XS5</b>	<b>BN</b> <i>Brushed Nickel</i> <b>DB</b> <i>Dark Bronze</i>	5¾"	<i>Supports rail for sloped ceiling. Accommodates angles up to 45°.</i>
Aircraft Suspension Cable 	<b>LM2-CS48</b> <b>LM2-CS96</b>	<b>BN</b> <i>Brushed Nickel</i> <b>DB</b> <i>Dark Bronze</i>	48" 96"	<i>Supports monorail for flat or sloped ceilings.</i>
Extension Rod 	<b>LM-R12</b> <b>LM-R24</b> <b>LM-R36</b> <b>LM-R48</b>	<b>BN</b> <i>Brushed Nickel</i> <b>DB</b> <i>Dark Bronze</i>	12" 24" 36" 48"	<i>Use with standoffs and power feeds. Use two per circuit with rod couplers to extend power feeds. Field cut to size and join with rod couplers.</i>
Rod Coupler 	<b>LM-RI</b>	<b>BN</b> <i>Brushed Nickel</i> <b>DB</b> <i>Dark Bronze</i>	Ø ¾" × 7/8" H	<i>Use two per power feed, four per dual power feed, one additional coupler per rod needed when joining two rods in excess of 48".</i>

Example: **LM2-CS48-BN**

Rail Connectors	Model #	Dimensions	Description
"1" Dead-End Connector 	<b>LM2-IDEC</b>	<b>BN</b> <i>Brushed Nickel</i> <b>DB</b> <i>Dark Bronze</i> 5/8" × 2"	<i>Connects two sections of rail with no electrical continuity.</i>
"1" Connector 	<b>LM2-I</b>	<b>BN</b> <i>Brushed Nickel</i> <b>DB</b> <i>Dark Bronze</i> 5/8" × 2"	<i>Connects two sections of rail with electrical continuity.</i>
"X" Dead-End Connector 	<b>LM2-XDEC</b>	<b>BN</b> <i>Brushed Nickel</i> <b>DB</b> <i>Dark Bronze</i> 5/8" × 2" × 2"	<i>Joins four monorails in an "X" without electrical continuity.</i>
"L" Connector 	<b>LM2-L</b>	<b>BN</b> <i>Brushed Nickel</i> <b>DB</b> <i>Dark Bronze</i> 5/8" × 1½" × 1½"	<i>90° monorail connection with electrical continuity</i>
Variable Angle Connector 	<b>LM2-VA</b>	<b>BN</b> <i>Brushed Nickel</i> <b>DB</b> <i>Dark Bronze</i> Ø 1" × 1¼" × 3½"	<i>The Variable Angle Connector allows an angle adjustment up to 110° with electrical continuity at the connection.</i>
"T" Connector 	<b>LM2-T</b>	<b>BN</b> <i>Brushed Nickel</i> <b>DB</b> <i>Dark Bronze</i> 5/8" × 1½" × 1½"	<i>Connects two sections of a monorail in a "T" with electrical continuity</i>

Example: **LM2-XDEC-BN**