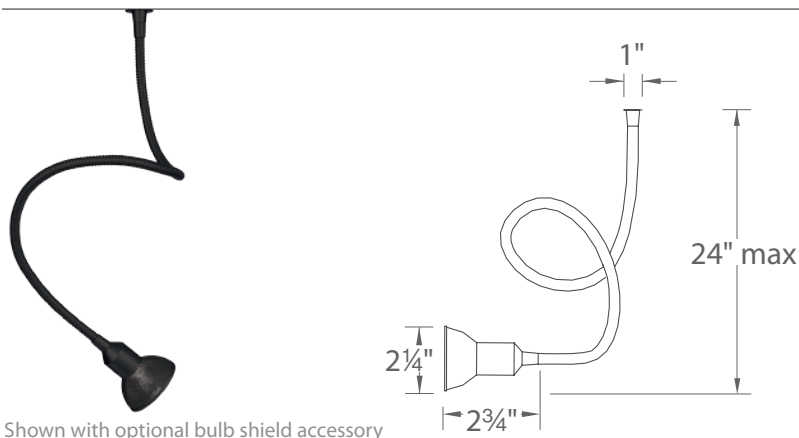


LOW VOLTAGE - model MM-204

LED MR16 Flexible Spot Light

WAC LIGHTING

Responsible Lighting®



Fixture Type:

Catalog Number:

Project: _____

Location: _____

Shown with optional bulb shield accessory

LED

Power: 8W	Color Temp: 3000K
Lumens: 450	CRI: 85
CBCP: 833	Dimming: Yes
Comparable: 35W MR16	Rated Life: 25,000 hours

PRODUCT DESCRIPTION

Adjustable for a variety of display applications, the bendable, low and line voltage Flex luminaires are designed and engineered with a unique, sturdy yet flexible cable arm for easy aiming and illuminating hard to light areas. Offered in multiple finishes and lengths to complement any décor. The "ME" style contains an electronic transformer in the canopy. The "MI" and "MM" mini canopies use remote transformers and are widely used for display work. MM-204 requires behind the surface access. Install in walls, ceilings, or furniture wherever accessible from both sides up to thickness of 1".

FEATURES

- Accepts 12V LED MR16, Halogen MR16 lamps up to 50W max
- LED MR16 included when ordered as LED
- 1 watt minimum load
- Can be wall or ceiling mounted
- Mesh bulb shield ordered separately

SPECIFICATIONS

Construction: Fixture head and canopy are steel. Flexible arm is steel.

Transformer: Remote transformer required (order separately)

Dimming: Smooth and continuous ELV dimming to 10%

Aiming: Flexible arm permits multiple aiming angles

Standards: ETL & cETL Listed

ENCLOSED ELECTRONIC TRANSFORMERS

Model	Input	Output	Dimensions
EN-1260-RB2	12V	1 x 60W	6½" x 1⅝" x 1¼"
EN-2460-RB2	24V AC	60W	6½" x 1⅝" x 1¼"
EN-24100-RB2	24V AC	96W	6½" x 1⅝" x 1¼"
EN-1275-RB-AR	120V	12V, 1 x 75W	6⅝" x 1⅝" x 1⅝"
EN-12100-RB-AR	12V	1 x 100W	6¼" x 3" x 1⅝"
EN-12150-RB-AR	12V	1 x 150W	6¼" x 3" x 1⅝"

MAGNETIC TRANSFORMERS

SRT-300M-12V	120V	12V, 300W	10¾" x 4¼" x 4⅝"
SRT-600M-12V	12V	600W	11½" x 5¼" x 5⅝"

ALTERNATIVE LENSES

		Color
Color Lens	LENS-16	AMB Amber BLU Blue GRN Green RED Red YEL Yellow
	LENS-16-UVF	UV Filter Lens
	LENS-16-FR	Frosted Lens
	LENS-16-SPR	Spread Lens
	LENS-16-BEL	Beam Elongating
	LENS-16-HCL	Honeycomb Louver

BULB SHIELD ACCESSORY

		Finish
MBS-16	Mesh Shield	BK Black
SBS-16	Solid Shield	BN Brushed Nickel WT White

Example: **MBS-16-BN**

ORDER NUMBER

Model #	Lamping	Finish
MM-204LED	LED	BK Black
MM-204	Halogen	BN Brushed Nickel
		WT White



Example: **MM-204LED-WT**

WAC Lighting

www.waclighting.com
Phone (800) 526.2588 • Fax (800) 526.2585

Headquarters/Eastern Distribution Center

44 Harbor Park Drive • Port Washington, NY 11050
Phone (516) 515.5000 • Fax (516) 515.5050

Western Distribution Center

1750 Archibald Avenue • Ontario, CA 91760
Phone (800) 526.2588 • Fax (800) 526.2585