

MT-LED218

2 Light LEDme™ Multiple Spot

WAC LIGHTING

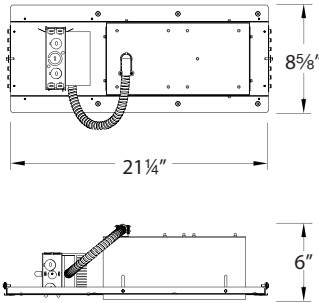
Responsible Lighting®



12 $\frac{3}{8}$ " x 6 $\frac{3}{4}$ "



11 $\frac{5}{8}$ " x 5 $\frac{7}{8}$ "



Fixture Type:

Catalog Number:

Project: _____

Location: _____

PRODUCT DESCRIPTION

Rectangular two light recessed fixture, available with trim or Invisible Trim™. Invisible Trim™ includes spackle ring to permit a stable finished installation with a drywall ceiling. Housing and trim ordered separately.

FEATURES

- Trim version has a 1/8" low profile
- Invisible Trim™ is designed to sit flush with the ceiling for a clean, architectural look
- Spot and Flood beam spreads
- 40° vertical adjustment and 350° horizontal rotation
- ANSI compliant Warm/Neutral LED module
- 50,000 hour rated life
- 5 year WAC Lighting product warranty

FIXTURE PERFORMANCE

Model #	Beam	Color Temp	Watt		Lumens		Efficacy	CRI
			IC	Non-IC	IC	Non-IC		
MT-LED218S-27	10°	2700K	22W	35W	1242	1698	56.5 Lm/W	85
MT-LED218F-27	25°				1278	1740	58.1 Lm/W	
MT-LED218S-WW	10°	3000K	22W	35W	1242	1698	56.5 Lm/W	85
MT-LED218F-WW	25°				1278	1740	58.1 Lm/W	
MT-LED218S-35	10°	3500K	22W	35W	1322	1808	60.1 Lm/W	80
MT-LED218F-35	25°				1360	1852	62.0 Lm/W	
MT-LED218S-CW	10°	4500K	22W	35W	1510	2006	69.0 Lm/W	75
MT-LED218F-CW	25°				1528	2034	69.5 Lm/W	

SPECIFICATIONS

Construction: Die-cast aluminum heat sink painted black. Trim, housing and junction box are 20 gauge steel. Frame and hanger bars are heavy gauge galvanized steel.

J-Box: Seven knockouts and four Romex® style wiring connectors provided for ease of installation. Rated for branch wiring.

Driver: 120VAC/60Hz input, 22W output, 450mA current. Power factor >0.9. Dimming and thermal protection.

Light Source: Utilizes two 6 x 3W Cree LED module (included with housing).

Dimming: Dim to 10% with electronic low voltage (ELV) dimmer.

Mounting: Supplied with hanger bars, adjustable from 15"-24½" to accommodate various joist construction and grid sizes. Hanger bars include a captive mounting "screw-nail" for ease of installation. Accommodates surface up to 1" thick. 11¼" x 6" cutout with trim, 12¼" x 6½" cutout for Invisible Trim™. See instruction sheet for details on installation using spackle ring.

Finish: Abrasion resistant powder coat paint in White (WT).

Rating: IC-Rated: Suitable for direct contact with insulation.

Standards: UL & CUL Listed.

TRIM ORDER NUMBER

Trim	Invisible Trim™
MT-LED218-WT	MT-LED218TL

FINISH



REPLACEMENT MODULES

Model #	Color Temp
RM-6X3-27	2700K
RM-6X3-30	3000K
RM-6X3-35	3500K
RM-6X3-45	4500K

HOUSING ORDER NUMBER

Model #	Beam	Color Temp	Rated	Finish
MT-LED218	S 10°	27 2700K	HS IC HSNIC Non-IC	WT White
	F 25°	WW 3000K		
		35 3500K CW 4500K		

MT-LED218 - **HS** - **WT**

Example: MT-LED218S-WWHS-WT

WAC Lighting
www.waclighting.com
Phone (800) 526.2588 • Fax (800) 526.2585

Headquarters/Eastern Distribution Center
44 Harbor Park Drive • Port Washington, NY 11050
Phone (516) 515.5000 • Fax (516) 515.5050

Western Distribution Center
1750 Archibald Avenue • Ontario, CA 91760
Phone (800) 526.2588 • Fax (800) 526.2585

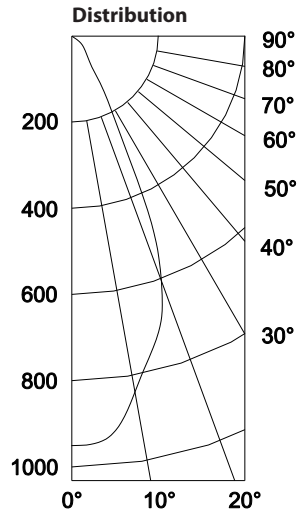
MT-LED218

Photometrics

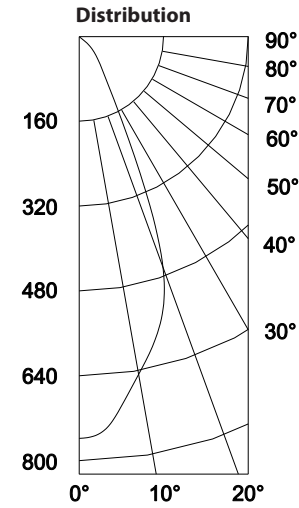
WAC LIGHTING

Responsible Lighting®

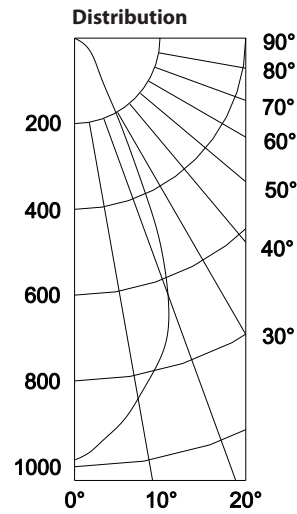
2700K



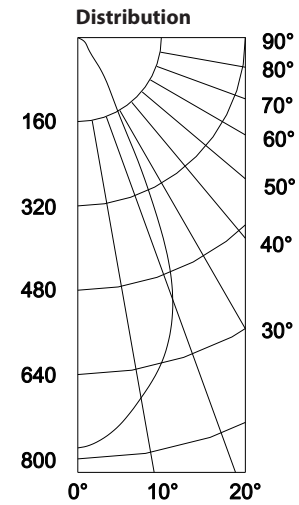
3000K



3500K



4500K



WAC Lighting
www.waclighting.com
Phone (800) 526.2588 • Fax (800) 526.2585

Headquarters/Eastern Distribution Center
44 Harbor Park Drive • Port Washington, NY 11050
Phone (516) 515.5000 • Fax (516) 515.5050

Western Distribution Center
1750 Archibald Avenue • Ontario, CA 91760
Phone (800) 526.2588 • Fax (800) 526.2585