

OCULUX ARCHITECTURAL 3.5" LED RECESSED

New Construction and Remodel Housing

WAC LIGHTING

Responsible Lighting®

SPECIFICATIONS

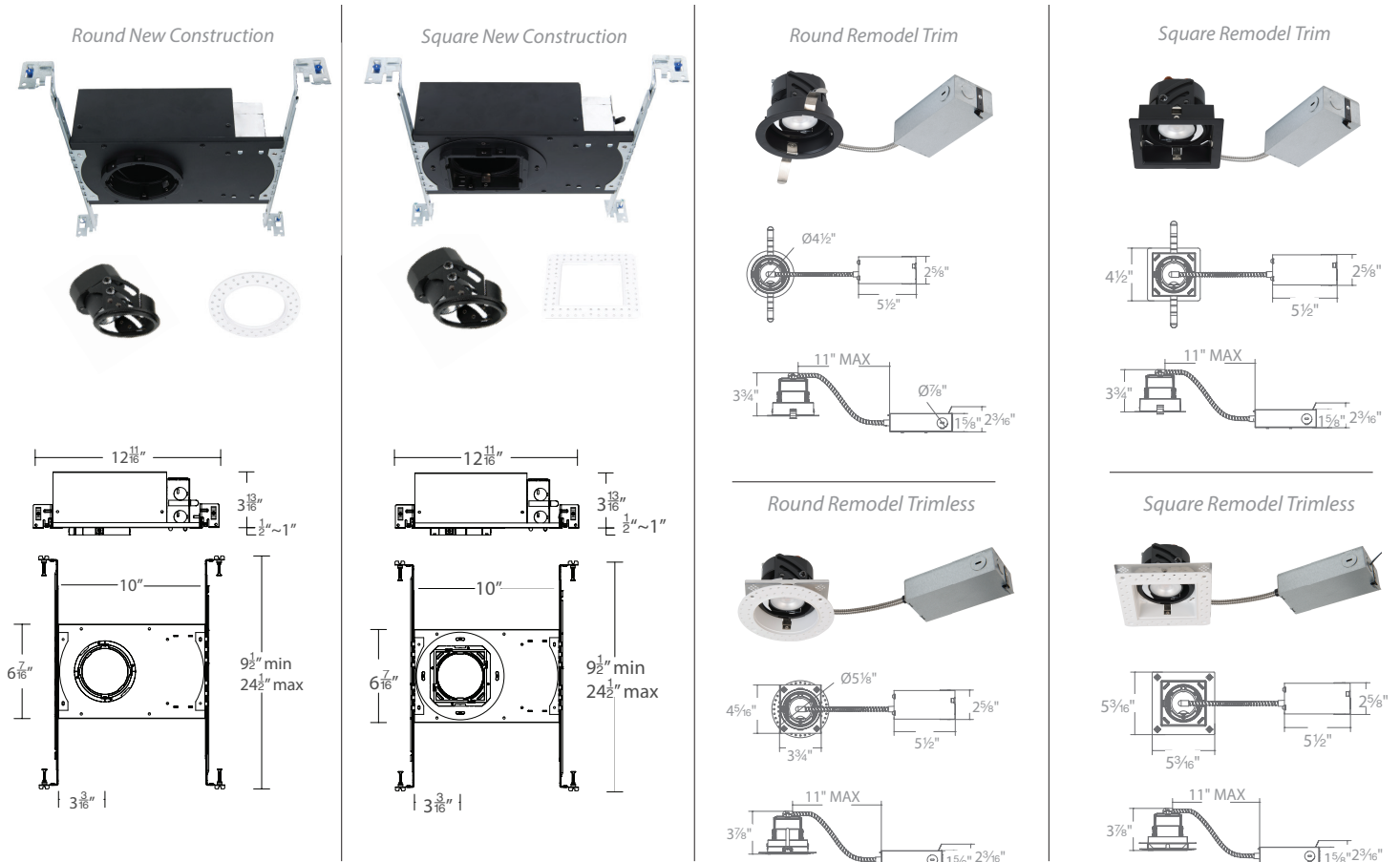
Construction:	20 Gauge cold rolled steel
Dimming:	100% - 5% 0-10V
Input:	100% - 1% ELV, TRIAC
Cut out:	120 - 277V AC
Ceiling Thickness:	New Construction: 4¼", Remodel: 3¾"
Mounting:	½" - 1"
Standards:	Retention clips firmly hold light engine to housing
Warranty:	UL&cUL, IC-rated, Airtight 5 year WAC Lighting product warranty

Fixture Type:

Catalog Number:

Project:

Location:



HOUSINGS

	Model	Power	CRI (90)	CCT	Color Temp
Round	R3CRN <i>Round New Construction</i>	11 W		927	2700K
	R3CRR <i>Round Remodel Trim</i>			930	3000K
	R3CRRL <i>Round Remodel Trimless</i>			935	3500K
				940	4000K
Square	R3CSN <i>Square New Construction</i>	11 W		927	2700K
	R3CSR <i>Square Remodel Trim</i>			930	3000K
	R3CSRL <i>Square Remodel Trimless</i>			935	3500K
				940	4000K

R3C _____ **-11-** _____

Example: **R3CRN-11-927**

waclighting.com

Phone (800) 526.2588

Fax (800) 526.2585

Headquarters/Eastern Distribution Center

44 Harbor Park Drive

Port Washington, NY 11050

Central Distribution Center

1600 Distribution Ct

Lithia Springs, GA 30122

Western Distribution Center

1750 Archibald Avenue

Ontario, CA 91760