

MINT - model: 181

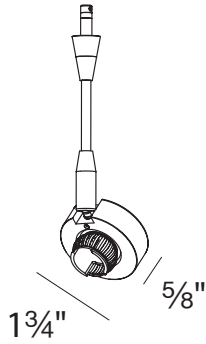
Low Voltage Quick Connect™ Luminaire

WAC LIGHTING

Responsible Lighting®



Shown with G112-AM



Fixture Type:

Catalog Number:

Project: _____

Location: _____

PRODUCT DESCRIPTION

Low voltage track head with 360° horizontal rotation and 90° vertical adjustment aiming flexibility. Die-cast aluminum construction.

SPECIFICATIONS

Construction: Die-cast aluminum construction with metal spring band to retain shade. Shades are either glass or metal.

Finish: Available in Dark Bronze (DB) powder coat paint finish and electroplated Brushed Nickel (BN).

Lamping: Accepts 12V LED MR16, Halogen MR16 lamps up to 50W max (order lamp separately).

Dimming: Dim to 10% depending on system power supply. Use ELV (electronic low voltage) dimmer with electronic transformer. Use magnetic low voltage dimmer with magnetic transformer.

Standards: UL & CUL Listed.

FEATURES

- Compatible with all Quick Connect™ rail and track systems when using the proper adapter (see adapter chart on next page)
- Use on all Quick Connect™ Canopies (see canopy options on next page)
- Additional extensions are available up to 48"
- 360° horizontal rotation and 90° vertical adjustment
- 5 year WAC Lighting product warranty

ORDER NUMBER

Model #	Lamp and Accessory	Extension	Finish
QF-181LEDX3-115	LED 12V 8W MR16 & G115 Shade Included	3"	BN Brushed Nickel DB Dark Bronze
QF-181LEDX3-116	LED 12V 8W MR16 & G116 Shade Included		
QF-181X3	Halogen 12V 50W max MR16 (Sold Separately)		

FINISHES



QF-181LEDX3 **115** - **BN**

Example: QF-181LEDX3-115-BN

GLASS AND SHIELD OPTIONS (ORDER SEPARATELY)

G111	G112	G113	G114 cased glass	G115 mesh	G116 solid	AM	BL	BN	DB	RD	WT
2¼"W × 1¾"H	2½"W × 1¾"H	3¾"W × 1⅞"H	2⅝"W × 2½"H	2¼"W × 1¾"H	2¼"W × 1¾"H	Amber	Blue	Brushed Nickel	Dark Bronze	Red	White

LED MR16 (ORDER SEPARATELY)

Model	Finish	Power	CCT	Volt	Lumens	Average Life	CRI	Beam	Photometry
MR16LED-BAB	BK Black WT White	8W	3000K	12V	450	25,000 Hours	85	35°	

Example: MR16LED-BAB-WT

See Next Pages for Canopy & Adapter Options

EXTENSIONS (ORDER SEPARATELY)

Q-X18 18"	BN Brushed Nickel DB Dark Bronze
Q-X24 24"	
Q-X36 36"	
Q-X48 48"	

WAC Lighting

www.waclighting.com

Phone (800) 526.2588 • Fax (800) 526.2585

Headquarters/Eastern Distribution Center

44 Harbor Park Drive • Port Washington, NY 11050

Phone (516) 515.5000 • Fax (516) 515.5050

Western Distribution Center

1750 Archibald Avenue • Ontario, CA 91760

Phone (800) 526.2588 • Fax (800) 526.2585


MINT - model: 181


Low Voltage Quick Connect™ Luminaire


WAC LIGHTING


Responsible Lighting®

QUICK CONNECT™ ADAPTERS (order one per fixture)

Solorail™	Model #	Finish
	LM-QADP	BN CH DB

Duorail™	Model #	Finish
	LM2-QADP	BN CH DB

W Track	Model #	Finish
	EN-WQ50AR	BK PT WT


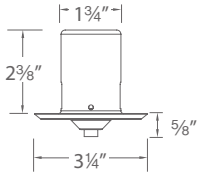
120V Track	Model #	Finish
	EN-LQ50AR EN-HQ50AR EN-JQ50AR	BK BN DB* WT



Flexrail1™	Model #	Finish
	HM1-EN50	DB PT


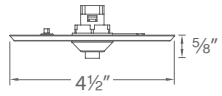

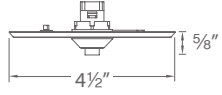
*DB finish only available for EN-HQ50AR


Monopoint Canopies (Remote Transformers Required)

- Order remote transformer separately
- No visible hardware

	Model	Finish
<p>Miniature Round Canopy with Wiring Compartment</p>   <ul style="list-style-type: none"> • The recessed "housing" is a wiring compartment with a knock-out that accepts trade size connectors • The housing is installed in the cutout hole first then the faceplate is attached 	QMP-MI-TR	BN <i>Brushed Nickel</i> CH <i>Chrome</i> DB <i>Dark Bronze</i>

	Model	Input	Output	Min Load	L	W	H	
Class 2 Enclosed Electronic Transformers	 EN-1260-RB2	120V	12V, 60W	1W	6½"	1½"	1¼"	<i>Fits through small openings</i>
	EN-2460-RB2	120V	24V, 60W	1W	6½"	1½"	1¼"	
	EN-24100-RB2	120V	24V, 96W	1W	6½"	1½"	1¼"	
Class 2 Non-Enclosed Electronic Transformer	 EN-12120-RB2	120V	12V, 2 × 60W	1W	6"	3¼"	2⅝"	<i>Includes LED indicator lights and integral push in terminals</i>
	EN-12180-RB2	120V	12V, 3 × 60W	1W	6¾"	3⅝"	2⅝"	
	EN-12300-RB2	120V	12V, 5 × 60W	1W	8½"	4⅝"	2⅝"	

<p>Round Canopy for Junction Box</p>   <ul style="list-style-type: none"> • Mounts over a standard 4" junction box • Base plate covers junction box opening, the canopy attaches to base plate with a metal nut 	QMP-1RN-TR	BN <i>Brushed Nickel</i> CH <i>Chrome</i> DB <i>Dark Bronze</i> WT <i>White</i>
<p>Square Canopy For Junction Box</p>   <ul style="list-style-type: none"> • Mounts over a standard 4" junction box • Base plate covers junction box opening, the canopy attaches to base plate with metal nut 	QMP-1SQ-TR	BN <i>Brushed Nickel</i> CH <i>Chrome</i> DB <i>Dark Bronze</i>

	Model	Input	Output	Min Load	L	W	H	
Class 2 Non-Enclosed Electronic Transformer	 EN-1260-R2	120V 50/60Hz	12V, 60W	1W	2⅝"	1⅝"	1"	<i>All Connections must be made in an enclosure for proper installations</i>

WAC Lighting
www.waclighting.com
Phone (800) 526.2588 • Fax (800) 526.2585

Headquarters/Eastern Distribution Center
44 Harbor Park Drive • Port Washington, NY 11050
Phone (516) 515.5000 • Fax (516) 515.5050

Western Distribution Center
1750 Archibald Avenue • Ontario, CA 91760
Phone (800) 526.2588 • Fax (800) 526.2585

MINT - model: 181


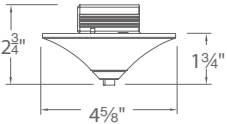

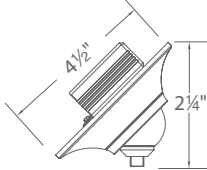
Low Voltage Quick Connect™ Luminaire

WAC LIGHTING

Responsible Lighting®

Monopoint Canopies (Integral Transformers)

- 1W minimum load
- 60W Integral electronic transformer
- Smooth and continuous ELV dimming
- For use with a 4" junction box; includes optional collar for shallow junction box


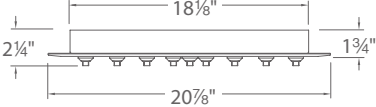

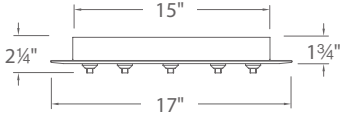

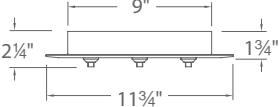

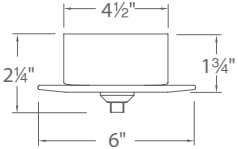

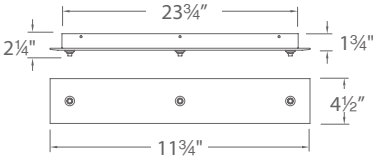
			Model	Finish
Adapter Canopy			QMP-60ERN	BN <i>Brushed Nickel</i> CH <i>Chrome</i> DB <i>Dark Bronze</i>
Sloped Ceiling Canopy			QMP-S60ERN	BN <i>Brushed Nickel</i> CH <i>Chrome</i> DB <i>Dark Bronze</i>

• Swivels up to 45° in either direction and will accept all WAC Lighting Quick Connect™ pendants and fixtures

Example: **QMP-60ERN-BN**

Mirror Glass Multipoint Canopies (Integral Transformers)

- 1W minimum load
- 60W Integral electronic transformer for each drop
- Smooth and continuous ELV dimming

			Model	Finish
12-Point Mirrored Canopy Round			QMP-G12RN	
6-Point Mirrored Canopy Round			QMP-G6RN	
3-Point Mirrored Canopy Round			QMP-G3RN	MR <i>Mirror</i>
1-Point Mirrored Canopy Round			QMP-G1RN	
3-Point Mirrored Canopy Rectangular			QMP-G3RE	

Example: **QMP-G6RN-MR**

WAC Lighting
www.waclighting.com
Phone (800) 526.2588 • Fax (800) 526.2585

Headquarters/Eastern Distribution Center
44 Harbor Park Drive • Port Washington, NY 11050
Phone (516) 515.5000 • Fax (516) 515.5050

Western Distribution Center
1750 Archibald Avenue • Ontario, CA 91760
Phone (800) 526.2588 • Fax (800) 526.2585