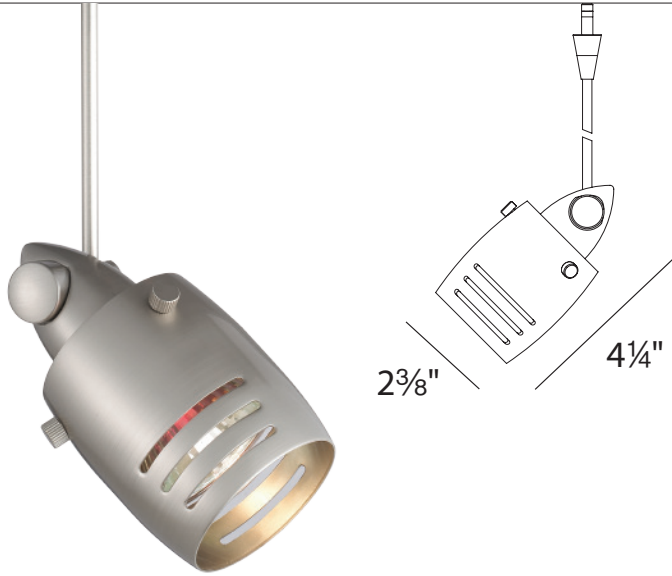


SUPER EGO – model: 183

Low Voltage Quick Connect™ Luminaire

WAC LIGHTING

Responsible Lighting®



Fixture Type:

Catalog Number:

Project:

Location:

PRODUCT DESCRIPTION

Low voltage track head with 360° horizontal rotation and 90° vertical adjustment aiming flexibility. Constructed from machined brass.

SPECIFICATIONS

Construction: Machined brass construction. Metal shade retained by three decorative screws.

Finish: Available in Dark Bronze (DB) powder coat paint finish and electroplated Brushed Nickel (BN).

Lamping: Accepts 12V LED MR16, Halogen MR16 lamps up to 50W max (order lamp separately).

Dimming: Dim to 10% depending on system power supply. Use ELV (electronic low voltage) dimmer with electronic transformer. Use magnetic low voltage dimmer with magnetic transformer.

Standards: UL & CUL Listed.

FEATURES

- Compatible with all Quick Connect™ rail and track systems when using the proper adapter (see adapter chart on next page)
- Use on all Quick Connect™ Canopies (see canopy options on next page)
- Additional extensions are available up to 48"
- 360° horizontal rotation and 90° vertical adjustment
- 5 year WAC Lighting product warranty

ORDER NUMBER

| Model # | Lamp | Extension | Finish |
|--------------------|--------------------------------------------|-----------|--------------------------|
| QF-183LEDX3 | LED 12V 8W MR16 Included | 3" | BN Brushed Nickel |
| QF-183X3 | Halogen 12V 50W max MR16 (Sold Separately) | | DB Dark Bronze |

FINISHES

BN




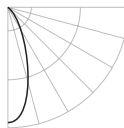
DB



QF-183 **X3** –

Example: **QF-183X3-BN**

LED MR16 (ORDER SEPARATELY)





| Model | Finish | Power | CCT | Volt | Lumens | Average Life | CRI | Beam | Photometry |
|--------------------------------------------------------------------------------------------------------|------------------------------------|-------|-------|------|--------|--------------|-----|------|--------------------------------------------------------------------------------------|
|  MR16LED-BAB | BK Black WT White | 8W | 3000K | 12V | 450 | 25,000 Hours | 85 | 35° |  |

Example: **MR16LED-BAB-WT**

See Next Pages for Canopy & Adapter Options

See Next Pages for Canopy & Adapter Options

EXTENSIONS (ORDER SEPARATELY)

| | | |
|---------------------------------------------------------------------------------------|------------------|---------------------------------------------------|
|  | Q-X18 18" | BN Brushed Nickel DB Dark Bronze |
|  | Q-X24 24" | |
|  | Q-X36 36" | |
|  | Q-X48 48" | |

WAC Lighting

www.waclighting.com

Phone (800) 526.2588 • Fax (800) 526.2585

Headquarters/Eastern Distribution Center

44 Harbor Park Drive • Port Washington, NY 11050

Phone (516) 515.5000 • Fax (516) 515.5050

Western Distribution Center

1750 Archibald Avenue • Ontario, CA 91760

Phone (800) 526.2588 • Fax (800) 526.2585


SUPER EGO – model: 183


Low Voltage Quick Connect™ Luminaire


WAC LIGHTING


Responsible Lighting®

QUICK CONNECT™ ADAPTERS (order one per fixture)

| Solorail™ | Model # | Finish |
|-----------------------------------------------------------------------------------|----------------|-------------------------------------|
|  | LM-QADP | BN CH DB |

| Duorail™ | Model # | Finish |
|-----------------------------------------------------------------------------------|-----------------|-------------------------------------|
|  | LM2-QADP | BN CH DB |

| W Track | Model # | Finish |
|-----------------------------------------------------------------------------------|------------------|-------------------------------------|
|  | EN-WQ50AR | BK PT WT |


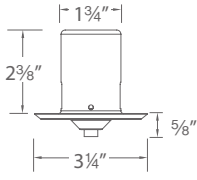
| 120V Track | Model # | Finish |
|-----------------------------------------------------------------------------------|----------------------------------------------------------|---------------------------------------------------|
|  | EN-LQ50AR EN-HQ50AR EN-JQ50AR | BK BN DB* WT |



| Flexrail1™ | Model # | Finish |
|-------------------------------------------------------------------------------------|-----------------|------------------------|
|  | HM1-EN50 | DB PT |


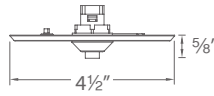

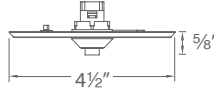
*DB finish only available for EN-HQ50AR


Monopoint Canopies (Remote Transformers Required)

- Order remote transformer separately
- No visible hardware

| | | Model | Finish |
|---------------------------------------------------------------------------------------------------------------------------------------------------------------------------------------------------------------------------------------------------------------------------------------------------------------------------------------------------------------------------------------------------|-------------------------------------------------------------------------------------|------------------|--------------------------------------------------------------------------------------------|
| Miniature Round Canopy with Wiring Compartment  <ul style="list-style-type: none"> • The recessed "housing" is a wiring compartment with a knock-out that accepts trade size connectors • The housing is installed in the cutout hole first then the faceplate is attached |  | QMP-MI-TR | BN <i>Brushed Nickel</i> CH <i>Chrome</i> DB <i>Dark Bronze</i> |

| | Model | Input | Output | Min Load | L | W | H | |
|---------------------------------------------|---------------------------------------------------------------------------------------------------------|-------|--------------|----------|-----|-----|-----|---------------------------------------------------------------------|
| Class 2 Enclosed Electronic Transformers |  EN-1260-RB2 | 120V | 12V, 60W | 1W | 6½" | 1½" | 1¼" | <i>Fits through small openings</i> |
| | EN-2460-RB2 | 120V | 24V, 60W | 1W | 6½" | 1½" | 1¼" | |
| | EN-24100-RB2 | 120V | 24V, 96W | 1W | 6½" | 1½" | 1¼" | |
| Class 2 Non-Enclosed Electronic Transformer |  EN-12120-RB2 | 120V | 12V, 2 × 60W | 1W | 6" | 3¼" | 2⅝" | <i>Includes LED indicator lights and integral push in terminals</i> |
| | EN-12180-RB2 | 120V | 12V, 3 × 60W | 1W | 6¾" | 3⅝" | 2⅝" | |
| | EN-12300-RB2 | 120V | 12V, 5 × 60W | 1W | 8½" | 4⅝" | 2⅝" | |

| | | | |
|----------------------------------------------------------------------------------------------------------------------------------------------------------------------------------------------------------------------------------------------------------------------------------------------------------------------------------|--------------------------------------------------------------------------------------|-------------------|----------------------------------------------------------------------------------------------------------------------|
| Round Canopy for Junction Box  <ul style="list-style-type: none"> • Mounts over a standard 4" junction box • Base plate covers junction box opening, the canopy attaches to base plate with a metal nut |  | QMP-1RN-TR | BN <i>Brushed Nickel</i> CH <i>Chrome</i> DB <i>Dark Bronze</i> WT <i>White</i> |
| Square Canopy For Junction Box  <ul style="list-style-type: none"> • Mounts over a standard 4" junction box • Base plate covers junction box opening, the canopy attaches to base plate with metal nut |  | QMP-1SQ-TR | BN <i>Brushed Nickel</i> CH <i>Chrome</i> DB <i>Dark Bronze</i> |

| | Model | Input | Output | Min Load | L | W | H | |
|---------------------------------------------|-------------------------------------------------------------------------------------------------------|--------------|----------|----------|-----|-----|----|------------------------------------------------------------------------------|
| Class 2 Non-Enclosed Electronic Transformer |  EN-1260-R2 | 120V 50/60Hz | 12V, 60W | 1W | 2⅝" | 1⅝" | 1" | <i>All Connections must be made in an enclosure for proper installations</i> |

WAC Lighting
www.waclighting.com
Phone (800) 526.2588 • Fax (800) 526.2585

Headquarters/Eastern Distribution Center
44 Harbor Park Drive • Port Washington, NY 11050
Phone (516) 515.5000 • Fax (516) 515.5050

Western Distribution Center
1750 Archibald Avenue • Ontario, CA 91760
Phone (800) 526.2588 • Fax (800) 526.2585

SUPER EGO – model: 183


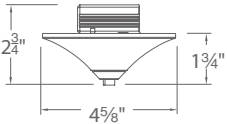

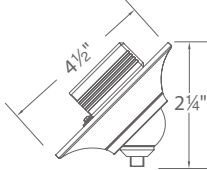
Low Voltage Quick Connect™ Luminaire

WAC LIGHTING

Responsible Lighting®

Monopoint Canopies (Integral Transformers)

- 1W minimum load
- 60W Integral electronic transformer
- Smooth and continuous ELV dimming
- For use with a 4" junction box; includes optional collar for shallow junction box


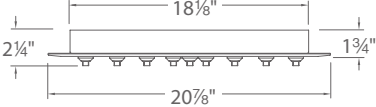

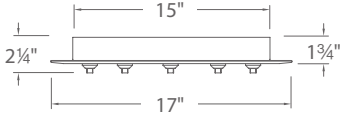

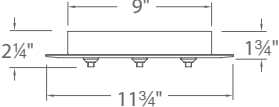

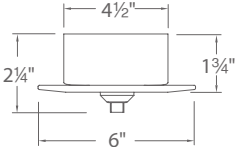

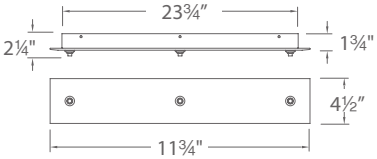
| | | | Model | Finish |
|-----------------------|-----------------------------------------------------------------------------------|------------------------------------------------------------------------------------|-------------------|--------------------------------------------------------------------------------------------|
| Adapter Canopy |  |  | QMP-60ERN | BN <i>Brushed Nickel</i> CH <i>Chrome</i> DB <i>Dark Bronze</i> |
| Sloped Ceiling Canopy |  |  | QMP-S60ERN | BN <i>Brushed Nickel</i> CH <i>Chrome</i> DB <i>Dark Bronze</i> |

- Swivels up to 45° in either direction and will accept all WAC Lighting Quick Connect™ pendants and fixtures

Example: **QMP-60ERN-BN**

Mirror Glass Multipoint Canopies (Integral Transformers)

- 1W minimum load
- 60W Integral electronic transformer for each drop
- Smooth and continuous ELV dimming

| | | | Model | Finish |
|-------------------------------------|-------------------------------------------------------------------------------------|--------------------------------------------------------------------------------------|------------------|-------------------------|
| 12-Point Mirrored Canopy Round |  |  | QMP-G12RN | |
| 6-Point Mirrored Canopy Round |  |  | QMP-G6RN | |
| 3-Point Mirrored Canopy Round |  |  | QMP-G3RN | MR <i>Mirror</i> |
| 1-Point Mirrored Canopy Round |  |  | QMP-G1RN | |
| 3-Point Mirrored Canopy Rectangular |  |  | QMP-G3RE | |

Example: **QMP-G6RN-MR**

WAC Lighting
www.waclighting.com
Phone (800) 526.2588 • Fax (800) 526.2585

Headquarters/Eastern Distribution Center
44 Harbor Park Drive • Port Washington, NY 11050
Phone (516) 515.5000 • Fax (516) 515.5050

Western Distribution Center
1750 Archibald Avenue • Ontario, CA 91760
Phone (800) 526.2588 • Fax (800) 526.2585