

# EGO – model: 194

## Low Voltage Quick Connect™ Luminaire

# WAC LIGHTING

Responsible Lighting®



Shown with G115-BN

Fixture Type:

Catalog Number:

Project:

Location:

### PRODUCT DESCRIPTION

Low voltage track head with 360° horizontal rotation and 90° vertical adjustment aiming flexibility. Constructed from machined brass.

### SPECIFICATIONS

**Construction:** Machined brass construction. All metal track head parts with metal spring band to retain shade. Shades are either glass or metal.

**Finish:** Available in Dark Bronze (DB) powder coat paint finish and electroplated Brushed Nickel (BN).

**Lamping:** Accepts 12V LED MR16, Halogen MR16 lamps up to 50W max (order lamp separately).

**Dimming:** Dim to 10% depending on system power supply. Use ELV (electronic low voltage) dimmer with electronic transformer. Use magnetic low voltage dimmer with magnetic transformer.

**Standards:** UL & CUL Listed.

### FEATURES

- Compatible with all Quick Connect™ rail and track systems when using the proper adapter (see adapter chart on next page)
- Use on all Quick Connect™ Canopies (see canopy options on next page)
- Additional extensions are available up to 48"
- 360° horizontal rotation and 90° vertical adjustment
- 5 year WAC Lighting product warranty

### ORDER NUMBER

Model #	Lamp	Extension	Shade	Finish
QF-194LED	LED 12V 8W MR16 Included	X3 3"	115 G115 Shade included	BN Brushed Nickel
		X6 6"		DB Dark Bronze
		X12 12"	116 G116 Shade included	
QF-194	Halogen 12V 50W max MR16 (Sold Separately)	X3 3"		BN Brushed Nickel
		X6 6"		DB Dark Bronze
		X12 12"		

### FINISHES



**QF-194LEDX3** **116** - **BN**

Example: QF-194LEDX3-116-BN

### GLASS AND SHIELD OPTIONS (ORDER SEPARATELY)

G111	G112	G113	G114 cased glass	G115 mesh	G116 solid	AM	BL	BN	DB	RD	WT
2¼"W × 1¾"H	2½"W × 1¾"H	3⅜"W × 1⅞"H	2⅝"W × 2½"H	2¼"W × 1¾"H	2¼"W × 1¾"H	Amber	Blue	Brushed Nickel	Dark Bronze	Red	White

### LED MR16 (ORDER SEPARATELY)

Model	Finish	Power	CCT	Volt	Lumens	Average Life	CRI	Beam	Photometry
MR16LED-BAB	BK Black WT White	8W	3000K	12V	450	25,000 Hours	85	35°	

Example: MR16LED-BAB-WT

### EXTENSIONS (ORDER SEPARATELY)

Q-X18 18"	BN Brushed Nickel DB Dark Bronze
Q-X24 24"	
Q-X36 36"	
Q-X48 48"	

See Next Pages for Canopy & Adapter Options

WAC Lighting  
www.waclighting.com  
Phone (800) 526.2588 • Fax (800) 526.2585

Headquarters/Eastern Distribution Center  
44 Harbor Park Drive • Port Washington, NY 11050  
Phone (516) 515.5000 • Fax (516) 515.5050

Western Distribution Center  
1750 Archibald Avenue • Ontario, CA 91760  
Phone (800) 526.2588 • Fax (800) 526.2585


# EGO – model: 194


## Low Voltage Quick Connect™ Luminaire


# WAC LIGHTING


Responsible Lighting®

### QUICK CONNECT™ ADAPTERS (order one per fixture)

Solorail™	Model #	Finish
	<b>LM-QADP</b>	<b>BN</b> <b>CH</b> <b>DB</b>

Duorail™	Model #	Finish
	<b>LM2-QADP</b>	<b>BN</b> <b>CH</b> <b>DB</b>

W Track	Model #	Finish
	<b>EN-WQ50AR</b>	<b>BK</b> <b>PT</b> <b>WT</b>


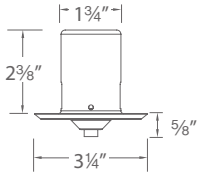
120V Track	Model #	Finish
	<b>EN-LQ50AR</b> <b>EN-HQ50AR</b> <b>EN-JQ50AR</b>	<b>BK</b> <b>BN</b> <b>DB*</b> <b>WT</b>



Flexrail1™	Model #	Finish
	<b>HM1-EN50</b>	<b>DB</b> <b>PT</b>


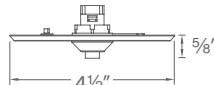

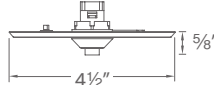
\*DB finish only available for EN-HQ50AR


### Monopoint Canopies (Remote Transformers Required)

- Order remote transformer separately
- No visible hardware

	Model	Finish
<p>Miniature Round Canopy with Wiring Compartment</p>   <ul style="list-style-type: none"> <li>• The recessed "housing" is a wiring compartment with a knock-out that accepts trade size connectors</li> <li>• The housing is installed in the cutout hole first then the faceplate is attached</li> </ul>	<b>QMP-MI-TR</b>	<b>BN</b> <i>Brushed Nickel</i> <b>CH</b> <i>Chrome</i> <b>DB</b> <i>Dark Bronze</i>

	Model	Input	Output	Min Load	L	W	H	
Class 2 Enclosed Electronic Transformers	 <b>EN-1260-RB2</b>	120V	12V, 60W	1W	6 1/2"	1 5/8"	1 1/4"	<i>Fits through small openings</i>
	<b>EN-2460-RB2</b>	120V	24V, 60W	1W	6 1/2"	1 5/8"	1 1/4"	
	<b>EN-24100-RB2</b>	120V	24V, 96W	1W	6 1/2"	1 5/8"	1 1/4"	
Class 2 Enclosed Electronic Transformers	 <b>EN-12120-RB2</b>	120V	12V, 2 x 60W	1W	6"	3 1/4"	2 5/8"	<i>Includes LED indicator lights and integral push in terminals</i>
	<b>EN-12180-RB2</b>	120V	12V, 3 x 60W	1W	6 3/4"	3 5/8"	2 5/8"	
	<b>EN-12300-RB2</b>	120V	12V, 5 x 60W	1W	8 1/2"	4 5/8"	2 5/8"	

<p>Round Canopy for Junction Box</p>   <ul style="list-style-type: none"> <li>• Mounts over a standard 4" junction box</li> <li>• Base plate covers junction box opening, the canopy attaches to base plate with a metal nut</li> </ul>	<b>QMP-1RN-TR</b>	<b>BN</b> <i>Brushed Nickel</i> <b>CH</b> <i>Chrome</i> <b>DB</b> <i>Dark Bronze</i> <b>WT</b> <i>White</i>
<p>Square Canopy For Junction Box</p>   <ul style="list-style-type: none"> <li>• Mounts over a standard 4" junction box</li> <li>• Base plate covers junction box opening, the canopy attaches to base plate with metal nut</li> </ul>	<b>QMP-1SQ-TR</b>	<b>BN</b> <i>Brushed Nickel</i> <b>CH</b> <i>Chrome</i> <b>DB</b> <i>Dark Bronze</i>

	Model	Input	Output	Min Load	L	W	H	
Class 2 Non-Enclosed Electronic Transformer	 <b>EN-1260-R2</b>	120V 50/60Hz	12V, 60W	1W	2 3/8"	1 3/8"	1"	<i>All Connections must be made in an enclosure for proper installations</i>

WAC Lighting  
www.waclighting.com  
Phone (800) 526.2588 • Fax (800) 526.2585

Headquarters/Eastern Distribution Center  
44 Harbor Park Drive • Port Washington, NY 11050  
Phone (516) 515.5000 • Fax (516) 515.5050


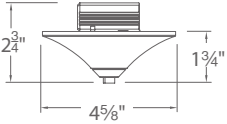

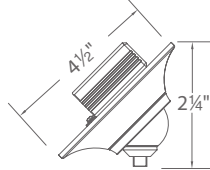
Western Distribution Center  
1750 Archibald Avenue • Ontario, CA 91760  
Phone (800) 526.2588 • Fax (800) 526.2585

**EGO – model: 194**  
**Low Voltage Quick Connect™ Luminaire**

**WAC LIGHTING**  
 Responsible Lighting®

**Monopoint Canopies (Integral Transformers)**

- 1W minimum load
- 60W Integral electronic transformer
- Smooth and continuous ELV dimming
- For use with a 4" junction box; includes optional collar for shallow junction box


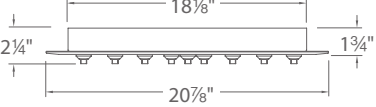

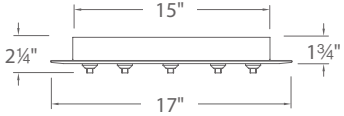

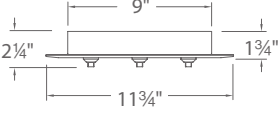

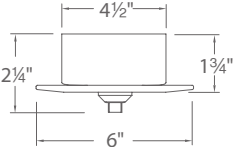

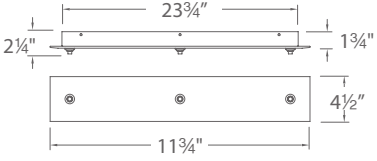
			Model	Finish
Adapter Canopy			<b>QMP-60ERN</b>	<b>BN</b> <i>Brushed Nickel</i> <b>CH</b> <i>Chrome</i> <b>DB</b> <i>Dark Bronze</i>
Sloped Ceiling Canopy			<b>QMP-S60ERN</b>	<b>BN</b> <i>Brushed Nickel</i> <b>CH</b> <i>Chrome</i> <b>DB</b> <i>Dark Bronze</i>

• Swivels up to 45° in either direction and will accept all WAC Lighting Quick Connect™ pendants and fixtures

Example: **QMP-60ERN-BN**

**Mirror Glass Multipoint Canopies (Integral Transformers)**

- 1W minimum load
- 60W Integral electronic transformer for each drop
- Smooth and continuous ELV dimming

			Model	Finish
12-Point Mirrored Canopy Round			<b>QMP-G12RN</b>	
6-Point Mirrored Canopy Round			<b>QMP-G6RN</b>	
3-Point Mirrored Canopy Round			<b>QMP-G3RN</b>	<b>MR</b> <i>Mirror</i>
1-Point Mirrored Canopy Round			<b>QMP-G1RN</b>	
3-Point Mirrored Canopy Rectangular			<b>QMP-G3RE</b>	

Example: **QMP-G6RN-MR**

**WAC Lighting**  
 www.waclighting.com  
 Phone (800) 526.2588 • Fax (800) 526.2585

**Headquarters/Eastern Distribution Center**  
 44 Harbor Park Drive • Port Washington, NY 11050  
 Phone (516) 515.5000 • Fax (516) 515.5050

**Western Distribution Center**  
 1750 Archibald Avenue • Ontario, CA 91760  
 Phone (800) 526.2588 • Fax (800) 526.2585