

# ADEO - model: 195

## Low Voltage Quick Connect™ Luminaire

# WAC LIGHTING

Responsible Lighting®



Shown with G113-WT

Fixture Type:

Catalog Number:

Project: \_\_\_\_\_

Location: \_\_\_\_\_

### PRODUCT DESCRIPTION

Low voltage track head with 360° horizontal rotation and 90° vertical adjustment aiming flexibility. Constructed from machined brass.

### SPECIFICATIONS

**Construction:** Machined brass with metal spring band to retain shade. Shades are either glass or metal.

**Finish:** Available in electroplated Brushed Nickel (BN).

**Lamping:** Accepts 12V LED MR16, Halogen MR16 lamps up to 50W max (order lamp separately).

**Dimming:** Dim to 10% depending on system power supply. Use ELV (electronic low voltage) dimmer with electronic transformer. Use magnetic low voltage dimmer with magnetic transformer.

**Standards:** UL & CUL Listed.

### FEATURES

- Compatible with all Quick Connect™ rail and track systems when using the proper adapter (see adapter chart on next page)
- Use on all Quick Connect™ Canopies (see canopy options on next page)
- Additional extensions are available up to 48"
- 360° horizontal rotation and 90° vertical adjustment
- 5 year WAC Lighting product warranty

### ORDER NUMBER

Model #	Lamp and Accessory	Extension	Finish
<b>QF-195LEDX3-115</b>	LED 12V 8W MR16 & G115 Shade Included		
<b>QF-195LEDX3-116</b>	LED 12V 8W MR16 & G116 Shade Included	3"	<b>BN</b> Brushed Nickel
<b>QF-195X3</b>	Halogen 12V 50W max MR16 (Sold Separately)		

**QF-195LEDX3** **115** - **BN**

Example: **QF-195LEDX3-115-BN**

### GLASS AND SHIELD OPTIONS (ORDER SEPARATELY)

G111	G112	G113	G114 cased glass	G115 mesh	G116 solid		
2¼"W × 1¾"H	2½"W × 1¾"H	3⅜"W × 1⅞"H	2⅝"W × 2½"H	2¼"W × 1¾"H	2¼"W × 1¾"H	<b>AM</b>	Amber
						<b>BL</b>	Blue
<b>AM</b> <b>BL</b> <b>WT</b>	<b>AM</b> <b>WT</b>	<b>AM</b> <b>WT</b>	<b>AM</b> <b>BL</b> <b>RD</b> <b>WT</b>	<b>BN</b> <b>DB</b>	<b>BN</b> <b>DB</b>	<b>BN</b>	Brushed Nickel
						<b>DB</b>	Dark Bronze
						<b>RD</b>	Red
						<b>WT</b>	White

### LED MR16 (ORDER SEPARATELY)

Model	Finish	Power	CCT	Volt	Lumens	Average Life	CRI	Beam	Photometry
<b>MR16LED-BAB</b>	<b>BK</b> Black <b>WT</b> White	8W	3000K	12V	450	25,000 Hours	85	35°	

Example: **MR16LED-BAB-WT**

### EXTENSIONS (ORDER SEPARATELY)

	<b>Q-X18</b> 18"	
	<b>Q-X24</b> 24"	<b>BN</b> Brushed Nickel
	<b>Q-X36</b> 36"	<b>DB</b> Dark Bronze
	<b>Q-X48</b> 48"	

See Next Pages for Canopy & Adapter Options

WAC Lighting  
www.waclighting.com  
Phone (800) 526.2588 • Fax (800) 526.2585

Headquarters/Eastern Distribution Center  
44 Harbor Park Drive • Port Washington, NY 11050  
Phone (516) 515.5000 • Fax (516) 515.5050

Western Distribution Center  
1750 Archibald Avenue • Ontario, CA 91760  
Phone (800) 526.2588 • Fax (800) 526.2585






# ADEO - model: 195

## Low Voltage Quick Connect™ Luminaire

# WAC LIGHTING

Responsible Lighting®


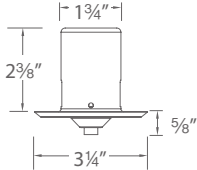
### QUICK CONNECT™ ADAPTERS (order one per fixture)



Solorail™	Model #	Finish	Duorail™	Model #	Finish						
	<b>LM-QADP</b>	<b>BN</b> <b>CH</b> <b>DB</b>		<b>LM2-QADP</b>	<b>BN</b> <b>CH</b> <b>DB</b>						
W Track		<b>EN-WQ50AR</b>	<b>BK</b> <b>PT</b> <b>WT</b>	120V Track		<b>EN-LQ50AR</b> <b>EN-HQ50AR</b> <b>EN-JQ50AR</b>	<b>BK</b> <b>BN</b> <b>DB*</b> <b>WT</b>	Flexrail1™		<b>HM1-EN50</b>	<b>DB</b> <b>PT</b>


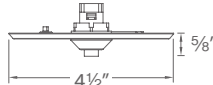

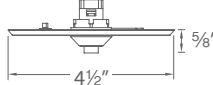
\*DB finish only available for EN-HQ50AR


### Monopoint Canopies (Remote Transformers Required)

- Order remote transformer separately
- No visible hardware

	Model	Finish
Miniature Round Canopy with Wiring Compartment   	<b>QMP-MI-TR</b>	<b>BN</b> <i>Brushed Nickel</i> <b>CH</b> <i>Chrome</i> <b>DB</b> <i>Dark Bronze</i>
<ul style="list-style-type: none"> <li>• The recessed "housing" is a wiring compartment with a knock-out that accepts trade size connectors</li> <li>• The housing is installed in the cutout hole first then the faceplate is attached</li> </ul>		

	Model	Input	Output	Min Load	L	W	H	
Class 2 Enclosed Electronic Transformers  	<b>EN-1260-RB2</b>	120V	12V, 60W	1W	6½"	1⅝"	1¼"	<i>Fits through small openings</i>
	<b>EN-2460-RB2</b>	120V	24V, 60W	1W	6½"	1⅝"	1¼"	
	<b>EN-24100-RB2</b>	120V	24V, 96W	1W	6½"	1⅝"	1¼"	
	<b>EN-12120-RB2</b>	120V	12V, 2 × 60W	1W	6"	3¼"	2⅝"	<i>Includes LED indicator lights and integral push in terminals</i>
	<b>EN-12180-RB2</b>	120V	12V, 3 × 60W	1W	6¾"	3⅝"	2⅝"	
	<b>EN-12300-RB2</b>	120V	12V, 5 × 60W	1W	8½"	4⅝"	2⅝"	

Round Canopy for Junction Box   	<b>QMP-1RN-TR</b>	<b>BN</b> <i>Brushed Nickel</i> <b>CH</b> <i>Chrome</i> <b>DB</b> <i>Dark Bronze</i> <b>WT</b> <i>White</i>
<ul style="list-style-type: none"> <li>• Mounts over a standard 4" junction box</li> <li>• Base plate covers junction box opening, the canopy attaches to base plate with a metal nut</li> </ul>		
Square Canopy For Junction Box   	<b>QMP-1SQ-TR</b>	<b>BN</b> <i>Brushed Nickel</i> <b>CH</b> <i>Chrome</i> <b>DB</b> <i>Dark Bronze</i>
<ul style="list-style-type: none"> <li>• Mounts over a standard 4" junction box</li> <li>• Base plate covers junction box opening, the canopy attaches to base plate with metal nut</li> </ul>		

	Model	Input	Output	Min Load	L	W	H	
Class 2 Non-Enclosed Electronic Transformer  	<b>EN-1260-R2</b>	120V 50/60Hz	12V, 60W	1W	2⅝"	1⅝"	1"	<i>All Connections must be made in an enclosure for proper installations</i>

WAC Lighting  
www.waclighting.com  
Phone (800) 526.2588 • Fax (800) 526.2585

Headquarters/Eastern Distribution Center  
44 Harbor Park Drive • Port Washington, NY 11050  
Phone (516) 515.5000 • Fax (516) 515.5050

Western Distribution Center  
1750 Archibald Avenue • Ontario, CA 91760  
Phone (800) 526.2588 • Fax (800) 526.2585

# ADEO - model: 195


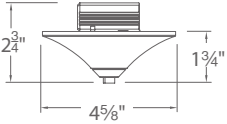

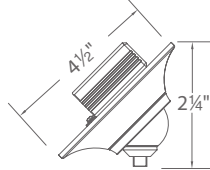
## Low Voltage Quick Connect™ Luminaire

# WAC LIGHTING

Responsible Lighting®

### Monopoint Canopies (Integral Transformers)

- 1W minimum load
- 60W Integral electronic transformer
- Smooth and continuous ELV dimming
- For use with a 4" junction box; includes optional collar for shallow junction box


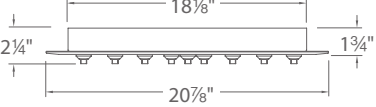

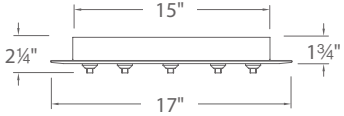

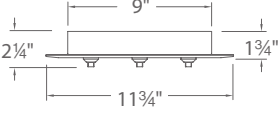

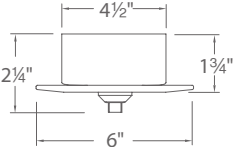

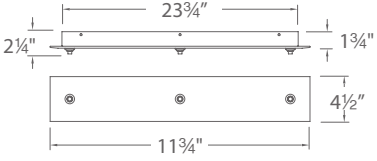
			Model	Finish
Adapter Canopy			<b>QMP-60ERN</b>	<b>BN</b> <i>Brushed Nickel</i> <b>CH</b> <i>Chrome</i> <b>DB</b> <i>Dark Bronze</i>
Sloped Ceiling Canopy			<b>QMP-S60ERN</b>	<b>BN</b> <i>Brushed Nickel</i> <b>CH</b> <i>Chrome</i> <b>DB</b> <i>Dark Bronze</i>

• Swivels up to 45° in either direction and will accept all WAC Lighting Quick Connect™ pendants and fixtures

Example: **QMP-60ERN-BN**

### Mirror Glass Multipoint Canopies (Integral Transformers)

- 1W minimum load
- 60W Integral electronic transformer for each drop
- Smooth and continuous ELV dimming

			Model	Finish
12-Point Mirrored Canopy Round			<b>QMP-G12RN</b>	
6-Point Mirrored Canopy Round			<b>QMP-G6RN</b>	
3-Point Mirrored Canopy Round			<b>QMP-G3RN</b>	<b>MR</b> <i>Mirror</i>
1-Point Mirrored Canopy Round			<b>QMP-G1RN</b>	
3-Point Mirrored Canopy Rectangular			<b>QMP-G3RE</b>	

Example: **QMP-G6RN-MR**

**WAC Lighting**  
www.waclighting.com  
Phone (800) 526.2588 • Fax (800) 526.2585

**Headquarters/Eastern Distribution Center**  
44 Harbor Park Drive • Port Washington, NY 11050  
Phone (516) 515.5000 • Fax (516) 515.5050

**Western Distribution Center**  
1750 Archibald Avenue • Ontario, CA 91760  
Phone (800) 526.2588 • Fax (800) 526.2585