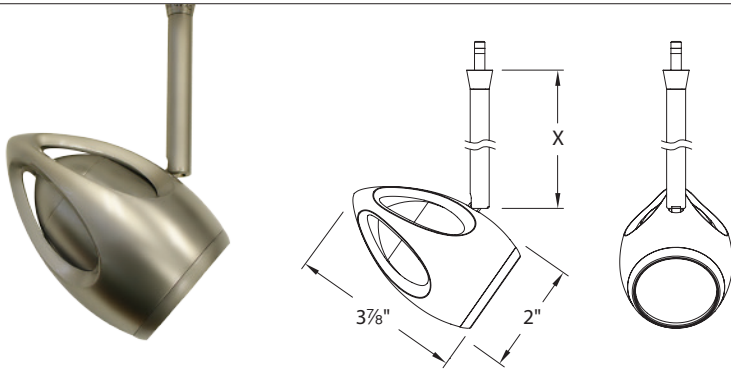


# FORZA – model: QF-LED173

## LEDme® Quick Connect™ Fixture

# WAC LIGHTING

Responsible Lighting®



Fixture Type:

Catalog Number:

Project:

Location:

### PRODUCT DESCRIPTION

Forza, meaning strength or power, perfectly describes this sleek and sophisticated LED fixture. Ideal for contemporary residential, retail and commercial spaces.

### FEATURES

- Compatible with all Quick Connect™ rail and track systems when using the proper adapter (see adapter chart on next page)
- Use on all Quick Connect™ Canopies (see canopy options on next page)
- Comparable to 35W MR16 lamp
- 360° horizontal rotation and 90° vertical aiming
- Free of projected heat, UV and IR radiation
- Replaceable Cree LED module
- 100,000 hour rated life
- Available in three different extension lengths
- 5 year WAC Lighting product warranty

### SPECIFICATIONS

**Construction:** Die-cast aluminum body with clear glass lens.

**Finish:** Available in electroplated Brushed Nickel (BN) finish.

**Input:** 12V AC/DC, built-in low voltage rectifier.

**Light Source:** 3 × 3W, 3000K warm white Cree LEDs.  
Total power consumption varies depending on system.

**Dimming:** Dim to 10% depending on system power supply.  
Use ELV (electronic low voltage) dimmer with electronic transformer.  
Use magnetic low voltage dimmer with magnetic transformer.

**Standards:** UL & CUL Listed.

### FIXTURE PERFORMANCE

Color Temp	Input	Watt	Lumens	Efficacy	CBCP	CRI
3000K	12V	7.5W*	280	37 Lm/W*	2451	85

\*Power consumption may vary depending on the efficiency of the system being used, LED may be retrofit to existing 12V systems.

### APPLICATION PERFORMANCE

Dist.	0° Aiming Angle (ceiling to floor)			45° Aiming Angle (ceiling to wall)		
	FC	L	W	FC	L	W
3 ft	272	0.8	0.8	96	1.6	1.1
6 ft	68	1.6	1.6	24	3.2	2.2
9 ft	30	2.3	2.3	11	4.8	3.3
12 ft	17	3.1	3.1	6	6.3	4.4

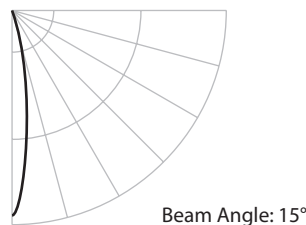
**FC**– Initial footcandle level at the center of the beam

**L**– Beam length at the point the candlepower drops off to 50% of maximum\*

**W**– Beam width at the point the candlepower drops off to 50% of maximum\*

\*Measured in feet

### PHOTOMETRY



### ORDER NUMBER

Model #	Extension	Finish
QF-LED173	X3 3"	BN Brushed Nickel
	X6 6"	
	X12 12"	


**QF-LED173**  -

Example: QF-LED173X3-CH

### REPLACEMENT MODULE

RM3X3-30-QF	LED
-------------	-----

### FIXTURE EXTENSIONS (ORDER SEPARATELY)

	<b>Q-X18</b> 18" <b>Q-X24</b> 24" <b>Q-X36</b> 36" <b>Q-X48</b> 48"	<b>BN</b> Brushed Nickel <b>DB</b> Dark Bronze
---	--	---

### WAC Lighting

www.waclighting.com  
Phone (800) 526.2588 • Fax (800) 526.2585

### Headquarters/Eastern Distribution Center

44 Harbor Park Drive • Port Washington, NY 11050  
Phone (516) 515.5000 • Fax (516) 515.5050

### Western Distribution Center

1750 Archibald Avenue • Ontario, CA 91760  
Phone (800) 526.2588 • Fax (800) 526.2585






# FORZA – model: QF-LED173

## Quick Connect™ Adapters and Canopies

# WAC LIGHTING

Responsible Lighting®


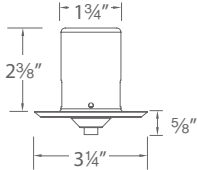
### QUICK CONNECT™ ADAPTERS (order one per fixture)





Solorail™	Model #	Finish	Duorail™	Model #	Finish						
	<b>LM-QADP</b>	<b>BN</b> <b>CH</b> <b>DB</b>		<b>LM2-QADP</b>	<b>BN</b> <b>CH</b> <b>DB</b>						
W Track		<b>EN-WQ50AR</b>	<b>BK</b> <b>PT</b> <b>WT</b>	120V Track		<b>EN-LQ50AR</b> <b>EN-HQ50AR</b> <b>EN-JQ50AR</b>	<b>BK</b> <b>BN</b> <b>DB*</b> <b>WT</b>	Flexrail1™		<b>HM1-EN50</b>	<b>DB</b> <b>PT</b>


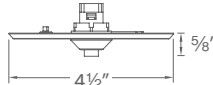

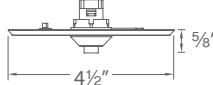
\*DB finish only available for EN-HQ50AR


### Monopoint Canopies (Remote Transformers Required)

- Order remote transformer separately
- No visible hardware

	Model	Finish
<p>Miniature Round Canopy with Wiring Compartment</p>   <ul style="list-style-type: none"> <li>• The recessed "housing" is a wiring compartment with a knock-out that accepts trade size connectors</li> <li>• The housing is installed in the cutout hole first then the faceplate is attached</li> </ul>	<b>QMP-MI-TR</b>	<b>BN</b> <i>Brushed Nickel</i> <b>CH</b> <i>Chrome</i> <b>DB</b> <i>Dark Bronze</i>

	Model	Input	Output	Min Load	L	W	H	
Class 2 Enclosed Electronic Transformers	 <b>EN-1260-RB2</b>	120V	12V, 60W	1W	6 1/2"	1 5/8"	1 1/4"	<i>Fits through small openings</i>
	 <b>EN-12120-RB2</b>	120V	12V, 2 x 60W	1W	6"	3 1/4"	2 5/8"	<i>Includes LED indicator lights and integral push in terminals</i>
	 <b>EN-12180-RB2</b>	120V	12V, 3 x 60W	1W	6 3/4"	3 5/8"	2 5/8"	
 <b>EN-12300-RB2</b>	120V	12V, 5 x 60W	1W	8 1/2"	4 5/8"	2 5/8"		

<p>Round Canopy for Junction Box</p>   <ul style="list-style-type: none"> <li>• Mounts over a standard 4" junction box</li> <li>• Base plate covers junction box opening, the canopy attaches to base plate with a metal nut</li> </ul>	<b>QMP-1RN-TR</b>	<b>BN</b> <i>Brushed Nickel</i> <b>CH</b> <i>Chrome</i> <b>DB</b> <i>Dark Bronze</i> <b>WT</b> <i>White</i>
<p>Square Canopy For Junction Box</p>   <ul style="list-style-type: none"> <li>• Mounts over a standard 4" junction box</li> <li>• Base plate covers junction box opening, the canopy attaches to base plate with metal nut</li> </ul>	<b>QMP-1SQ-TR</b>	<b>BN</b> <i>Brushed Nickel</i> <b>CH</b> <i>Chrome</i> <b>DB</b> <i>Dark Bronze</i>

	Model	Input	Output	Min Load	L	W	H	
Class 2 Non-Enclosed Electronic Transformer	 <b>EN-1260-R2</b>	120V 50/60Hz	12V, 60W	1W	2 3/8"	1 3/8"	1"	<i>All Connections must be made in an enclosure for proper installations</i>

WAC Lighting  
www.waclighting.com  
Phone (800) 526.2588 • Fax (800) 526.2585

Headquarters/Eastern Distribution Center  
44 Harbor Park Drive • Port Washington, NY 11050  
Phone (516) 515.5000 • Fax (516) 515.5050

Western Distribution Center  
1750 Archibald Avenue • Ontario, CA 91760  
Phone (800) 526.2588 • Fax (800) 526.2585

# FORZA – model: QF-LED173


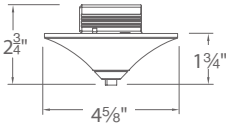

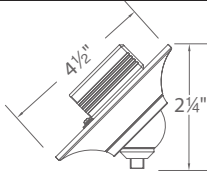
## Quick Connect™ Adapters and Canopies

# WAC LIGHTING

Responsible Lighting®

### Monopoint Canopies (Integral Transformers)

- 1W minimum load
- 60W Integral electronic transformer
- Smooth and continuous ELV dimming
- For use with a 4" junction box; includes optional collar for shallow junction box


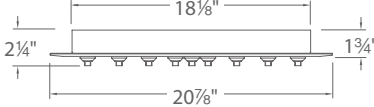

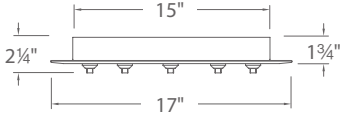

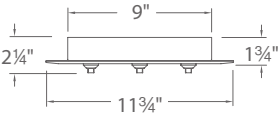

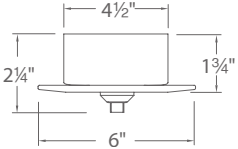

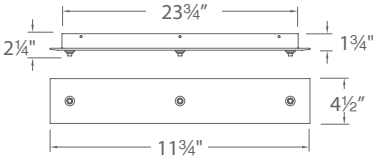
			Model	Finish
Adapter Canopy			<b>QMP-60ERN</b>	<b>BN</b> <i>Brushed Nickel</i> <b>CH</b> <i>Chrome</i> <b>DB</b> <i>Dark Bronze</i>
Sloped Ceiling Canopy			<b>QMP-S60ERN</b>	<b>BN</b> <i>Brushed Nickel</i> <b>CH</b> <i>Chrome</i> <b>DB</b> <i>Dark Bronze</i>

- Swivels up to 45° in either direction and will accept all WAC Lighting Quick Connect™ pendants and fixtures

Example: **QMP-60ERN-BN**

### Mirror Glass Multipoint Canopies (Integral Transformers)

- 1W minimum load
- 60W Integral electronic transformer for each drop
- Smooth and continuous ELV dimming

			Model	Finish
12-Point Mirrored Canopy Round			<b>QMP-G12RN</b>	
6-Point Mirrored Canopy Round			<b>QMP-G6RN</b>	
3-Point Mirrored Canopy Round			<b>QMP-G3RN</b>	<b>MR</b> <i>Mirror</i>
1-Point Mirrored Canopy Round			<b>QMP-G1RN</b>	
3-Point Mirrored Canopy Rectangular			<b>QMP-G3RE</b>	

Example: **QMP-G6RN-MR**

**WAC Lighting**  
www.waclighting.com  
Phone (800) 526.2588 • Fax (800) 526.2585

**Headquarters/Eastern Distribution Center**  
44 Harbor Park Drive • Port Washington, NY 11050  
Phone (516) 515.5000 • Fax (516) 515.5050

**Western Distribution Center**  
1750 Archibald Avenue • Ontario, CA 91760  
Phone (800) 526.2588 • Fax (800) 526.2585