

3.5" OCULUX - 0-35° Adjustable

R3BRA, R3BSA

WAC LIGHTING

Responsible Lighting®



Fixture Type:

Catalog Number:

Project: _____

Location: _____

PRODUCT DESCRIPTION

Designed to fit in tight plenum space

FEATURES

- Energy Star® Rated
- Title 24 Compliant
- IC-rated Remodel and New Construction
- Airtight in New Construction and remodel
- Shallow housing under 4" depth
- Cutout 4 1/4"
- Single spot light source

SPECIFICATIONS

Construction: Die-cast aluminum trim and heat sink

Dimming: ELV or TRIAC or 0-10V dimming compatible

Input: 120V for R3BNICA-10, R3BBRT-10; 120-277V for R3BNICA-10U

Power: 11W

Mounting: Retention clips firmly hold trim to housing.

Finish: Powder coated white, haze-white, Brushed nickel.

Ceiling thickness: 1/2" - 1"

Standards: ETL&cETL listed, Damp location listed

Operating Temperature: -4°F to 104°F (20°C to 40°C)

Trims (Order Housing Separately)	Model	Beam	Color Temp	Max Lumens	Max CBCP	Finish
	R3BRA <i>Round</i> 0 - 35° Adjustable 48° visual cutoff	S 15°	927 2700K 930 3000K	900 970	4384 4712	HZWT Haze/White BN Brushed Nickel WT White
		N 25°	927 2700K 930 3000K	915 985	2513 2701	
		F 50°	927 2700K 930 3000K	900 970	1196 1285	
	R3BSA <i>Square</i> 0 - 35° Adjustable 48° visual cutoff	S 15°	927 2700K 930 3000K	900 970	4384 4712	HZWT Haze/White BN Brushed Nickel WT White
		N 25°	927 2700K 930 3000K	915 985	2513 2701	
		F 50°	927 2700K 930 3000K	900 970	1196 1285	

R3B A- - - -

Example: R3BRA-S930-WT

waclighting.com
Phone (800) 526.2588
Fax (800) 526.2585

Headquarters/Eastern Distribution Center
44 Harbor Park Drive
Port Washington, NY 11050

Central Distribution Center
1600 Distribution Ct
Lithia Springs, GA 30122

Western Distribution Center
1750 Archibald Avenue
Ontario, CA 91760

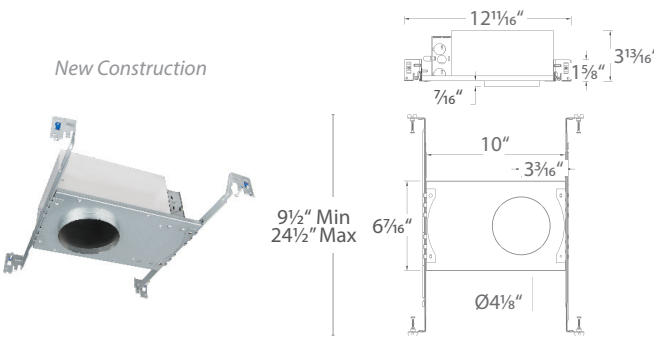
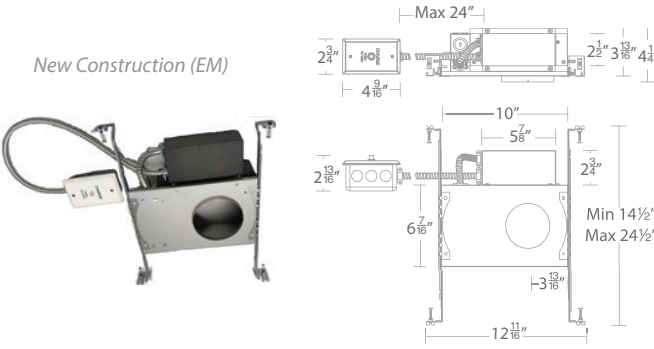
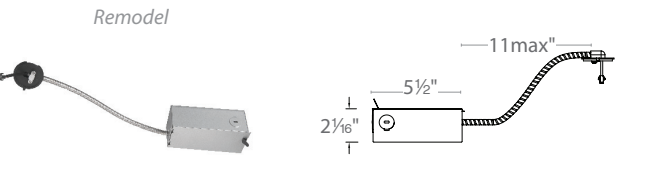
3.5" OCULUX - 0-35° Adjustable

New Construction and Remodel Housings

WAC LIGHTING

Responsible Lighting®

Housings (Required) - Order separately from trims

	Model	Input	Dimming	Notes
<p><i>New Construction</i></p>  <p>9 1/2" Min 24 1/2" Max</p> <p>12 1/16" (width) 3 13/16" (height) 7 1/6" (depth) 10" (width) 3 3/16" (height) 6 7/16" (depth) Ø4 1/8" (hole)</p>	R3BNICA-10 IC-Rated, Airtight	120V	100% - 5% TRIAC, ELV, 0-10V	Less than 4" plenum depth Allows adjustment in any direction when used with adjustable trims
	R3BNICA-10U IC-Rated, Airtight	120V - 277V	120V 100% - 5% TRIAC, ELV, 0-10V 277V 100% - 1% 0-10V	Ceiling thickness: 1/2" - 1"
<p><i>New Construction (EM)</i></p>  <p>Max 24" (width) 2 3/4" (height) 4 9/16" (depth) 2 3/4" (height) 3 13/16" (depth) 4 1/4" (depth) 10" (width) 5 7/8" (width) 2 3/8" (height) 6 7/16" (depth) Min 14 1/2" (height) Max 24 1/2" (height) 12 1/16" (width) 3 13/16" (depth)</p>	R3BNICA-10U-EM IC-Rated, Airtight	120V - 277V	120V 100% - 5% TRIAC, ELV, 0-10V 277V 100% - 1% 0-10V	Less than 4" plenum depth Allows adjustment in any direction when used with adjustable trims Ceiling thickness: 1/2" - 1" Integral Emergency battery pack with 24" lead wire remote test switch. Provides at least 90 minutes of 435lm illumination during emergency operation. Emergency battery and driver are field replaceable.
<p><i>Remodel</i></p>  <p>11 max" (width) 5 1/2" (width) 2 1/16" (height)</p>	R3BBRT-10 IC Rated	120V	100% - 5% TRIAC, ELV, 0-10V	Allows adjustment in any direction when used with adjustable trims Ceiling thickness: 1/2" - 1"

R3B _____ **-10** _____
Example: **R3BNICA-10**

wacighting.com
Phone (800) 526.2588
Fax (800) 526.2585

Headquarters/Eastern Distribution Center
44 Harbor Park Drive
Port Washington, NY 11050

Central Distribution Center
1600 Distribution Ct
Lithia Springs, GA 30122

Western Distribution Center
1750 Archibald Avenue
Ontario, CA 91760