

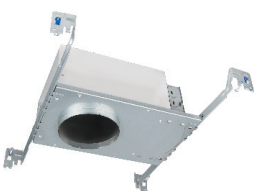
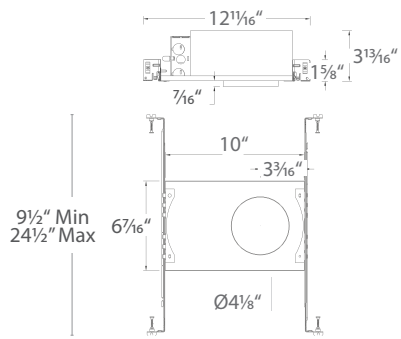

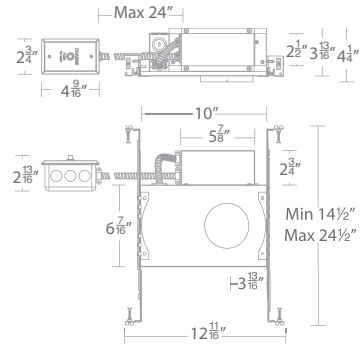

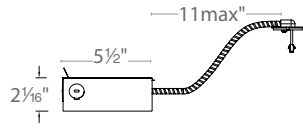
3.5" OCULUX DIM-TO-WARM

New Construction and Remodel Housings

WAC LIGHTING

Responsible Lighting®

Housings (Required) - Order separately from trims

	Model	Input	Dimming	Notes
<p><i>New Construction</i></p>  	R3BNICA-10 IC-Rated, Airtight	120V	100% - 5% TRIAC, ELV, 0-10V	Less than 4" plenum depth Allows adjustment in any direction when used with adjustable trims
	R3BNICA-10U IC-Rated, Airtight	120V - 277V	120V 100% - 5% TRIAC, ELV, 0-10V 277V 100% - 1% 0-10V	Ceiling thickness: 1/2" - 1"
<p><i>New Construction (EM)</i></p>  	R3BNICA-10U-EM IC-Rated, Airtight	120V - 277V	120V 100% - 5% TRIAC, ELV, 0-10V 277V 100% - 1% 0-10V	Less than 4" plenum depth Allows adjustment in any direction when used with adjustable trims Ceiling thickness: 1/2" - 1" Integral Emergency battery pack with 24" lead wire remote test switch. Provides at least 90 minutes of 435lm illumination during emergency operation. Emergency battery and driver are field replaceable.
<p><i>Remodel</i></p>  	R3BBRT-10 IC Rated	120V	100% - 5% TRIAC, ELV, 0-10V	Allows adjustment in any direction when used with adjustable trims Ceiling thickness: 1/2" - 1"

R3B _____ **-10** _____
Example: **R3BNICA-10**

wacighting.com
Phone (800) 526.2588
Fax (800) 526.2585

Headquarters/Eastern Distribution Center
44 Harbor Park Drive
Port Washington, NY 11050

Central Distribution Center
1600 Distribution Ct
Lithia Springs, GA 30122

Western Distribution Center
1750 Archibald Avenue
Ontario, CA 91760