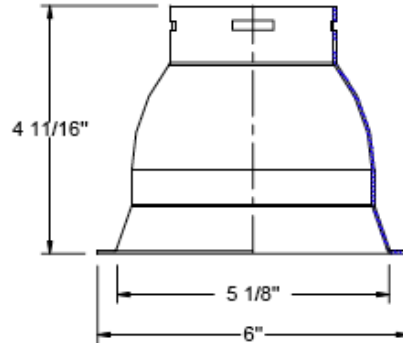


**5" PREMIUM DOWNLIGHT TRIM**

**R5VT-22**



**Ordering Matrix**

Series	Model Number	Finish
[ ]	[ ]	[ ]
R5VT	22	WT

Ordering Example (*series – model number – finish*): R5VT-22-WT

**Product Details**

**Application:** Ceiling down light trim, 1-inch maximum ceiling thickness. Provides smooth broad area illumination without shadows. Used with incandescent or fluorescent lamp housings.

**Materials:** One-piece spun aluminum construction. Integral trim ring is painted white, interior reflector is anodized aluminum. Trim is retained to socket via spring clips.

**Finish:** WT = White baffle with White trim

**Ratings:** UL & CUL listed.

**Specification Features**

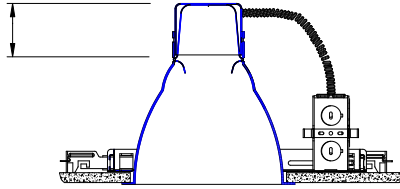
- Suitable for damp locations
- 5 year WAC Lighting product warranty.

**Compatible Housings (sold separately)**

<p><b>R5VI-ICA</b> Insulation Contact &amp; Air Tight New Construction Incandescent <b>Lamp:</b> A19 40W PAR30 50W</p>		<p><b>R5VI-R-ICA</b> Insulation Contact &amp; Air Tight Remodeling Incandescent <b>Lamp:</b> PAR30 50W</p>		<p><b>R5VI</b> Non IC Frame-in Style New Construction Incandescent <b>Lamp:</b> A19 100W PAR30L 75W</p>	
<p><b>R5VF-113Q</b> Non IC Frame-in Style New Construction Fluorescent <b>Lamp:</b> Quad 13W G24Q-1</p>		<p><b>R5VF-126/32T</b> Non IC Frame-in Style New Construction Incandescent <b>Lamp:</b> Tri-tube 26/32W GX24Q-3</p>			

**5" PREMIUM DOWNLIGHT TRIM**

**R5VT-22**



Socket cup adds a maximum of 2 1/8" to the height of the trim when used with frame in kits.