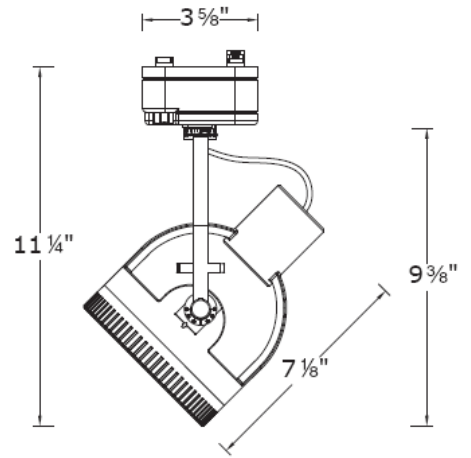
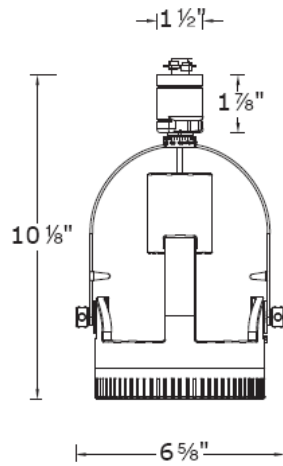


PRECISION SPOT TRACK HEAD

757



Ordering Matrix

Model	Finish	Optional Accessories
[]	[]	[]
HTK-757 JTK-757 LTK-757	BK WT	See accessories table

Ordering Example (model – finish + optional accessories) : JTK-757-BK + LENS-38-HCL

Product Details

Description:	Line voltage track heads using PAR38 lamps. Designed for use with WAC H/L/J & J2 series track. Track head style compliments the Precision Modules series of recessed multiple spots by WAC Lighting.
Materials:	Die-cast aluminum fixture with die-cast ribbed lens cap. Two heavy gauge aiming screws painted to match fixture finish.
Socket:	Medium base 250V porcelain socket with nickel-plated copper screw shell.
Aiming:	350° horizontal rotation and 90° vertical aiming with built-in aiming scale on fixture. Two aiming screws (one on each side of fixture) allow for locking fixture aiming angle.
Lamping:	Uses medium base PAR38 lamps, 150W max.
Finish:	Abrasion resistant paint finish. Available in Black (BK) and White (WT) and Platinum (PT) color. Consult factory for additional color options.
Listing:	UL & CUL Listed. Patent Pending.

Specification Features

- Specification grade die-cast aluminum fixture with integral aiming indicators to assure precise directional adjustment.
- Threaded lens cap has three evenly spaced integral tension clips. Additional lens accessory support is provided by a separate check ring placed within the lens cap.
- The 757 series track head utilizes the second circuit on the J2 style track with the use of the JClip.
- Accommodates one lens and one accessory.
- 5 year WAC Lighting product warranty.

Track Adaptor Information

Standard Adaptor
For H/LJ style
WAC tracks



J2 Adaptor
For J2 style
WAC track



JCLIP
Ordered when using track
heads on 2nd circuit of J2



Compatible Accessories

LENS-38-DIC-COLOR
Dichroic Lenses



LENS-38-COLOR
Color Lenses

AMB = Amber ; BLU = Blue ; GRN = Green
RED = Red ; YEL = Yellow

LENS-38-HCL
Honeycomb Louver



LENS-38-CRL
Cross Louver

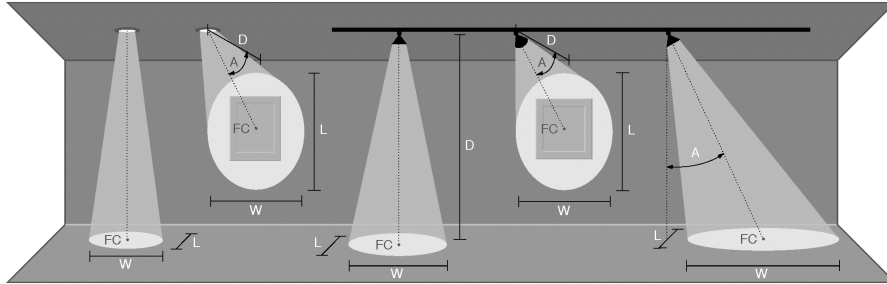


HOOD-120-BK
Light Deflecting Hood
for wall wash application



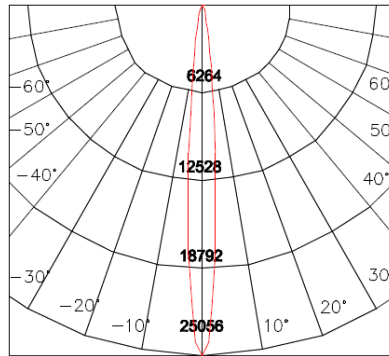
LENS-38-UVF
UV Filter
LENS-38-FR
Frosted Lens
LENS-38-SPR
Spread Lens
LENS-38-BEL
Beam Elongating Lens

Photometry

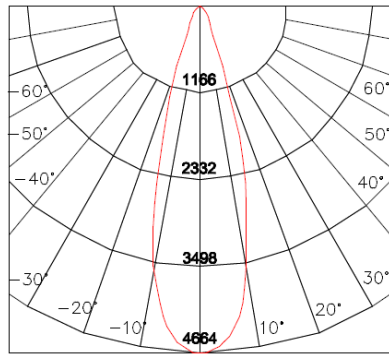


D Distance To Fixture From Wall Or Floor
FC Initial Footcandle Level At Center Of Beam
L Beam Length (where candlepower drops to 50% of maximum)
W Beam Width (where candlepower drops to 50% of maximum)

120W PAR38 SP			
0° Aiming Angle			
D(ft)	FC	W	L
6	696	0.9	0.9
9	309	1.4	1.4
12	174	1.9	1.9
15	111	2.4	2.4
45° Aiming Angle			
D(ft)	FC	W	L
6	246	1.9	1.3
9	109	2.9	2.0
12	62	3.8	2.7
15	39	4.8	3.3



120W PAR38 FL			
0° Aiming Angle			
D(ft)	FC	W	L
6	130	3.2	3.2
9	58	4.8	4.8
12	32	6.4	6.4
15	21	8.0	8.0
45° Aiming Angle			
D(ft)	FC	W	L
6	46	6.9	4.5
9	20	10.4	6.8
12	11	13.9	9.1
15	7	17.3	11.4



120W PAR38 WFL			
0° Aiming Angle			
D(ft)	FC	W	L
6	80	6.2	6.2
9	35	9.4	9.4
12	20	12.5	12.5
15	13	15.6	15.6
45° Aiming Angle			
D(ft)	FC	W	L
6	28	17.1	8.8
9	13	25.7	13.3
12	7	34.3	17.7
15	5	42.8	22.1

