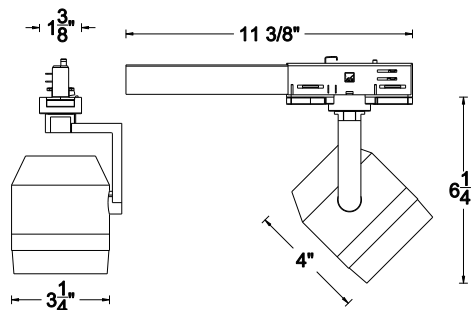


CATALOG NUMBER	TYPE
PROJECT	

PALOMA SPOT -RECESSED LED TRACK HEAD
SERIES WTK-LED510

Ordering Matrix

Model	Color Temperature	Beam Spread	Finish
<input type="text"/>	<input type="text"/>	<input type="text"/>	<input type="text"/>
WTK-LED510	W=3000K C=4000K	F=40° N=25° S=10°	BK = Black WT = White PT = Platinum

Ordering Example (model – finish): WTK-LED510WF-PT

Product Details

Description: RECESSED LED track head using Philip LED 10W lamps. Model WTK-LED510 Designed for use on W2 tracks 120V . Adaptable to other manufacturer’s track. (Consult factory for specific brands).

Materials: Die-cast aluminum fixture, cap ring.
Clear 1/8 inch tempered glass lens included.

Driver: Input voltage:120V AC /60Hz,power factor >0.9
Max Load: 10W

Aiming: 365° horizontal rotation and 180° vertical aiming with indexing scales. Spring lock to secure the aiming adjustment on horizontal .

Lamping: Using Philip LED 10W lamp. CRI 80 Lamp included.

Performance: Total Power Consumption: 11.5 W

	Color Temp	Beam	Lumens	Efficacy
WTK-LED510	W - 3000K	SP - 10°	391	34.0
		NF - 25°	415	36.1
		FL - 40°	418	36.4
	C - 4000K	SP - 10°	466	41.3
		NF - 25°	470	41.7
		FL - 40°	469	41.5

Finish: Powder coat paint finish.
Available in Black (BK), White (WT), Platinum (PT).

Listing: Patent Pending

Specification Features

- Provide 70% average lumen maintenance at 50,000 hrs.
- Die-cast aluminum fixture.
- Spring sheet within lens cap allows 4 captive accessories to be held securely.
- The track head utilizes the second circuit on the W2 style track .
- 5 year product warranty.

Compatible Accessories –USE SIZE 20

• **Dichroic Lens**
LENS-20-DIC-COLOR

• **Beam Elongator**
LENS-20-BEL

• **Cross Louver**
LENS-202-CRL

• **UV Filter**
LENS-20-UV

• **Beam Soft Lens/Beam Spread Lens**
LENS-20-BSL / LENS-20-SPR

• **Snoot**
LENS-20-SNOOT

• **IR Filter**
LENS-20-IR

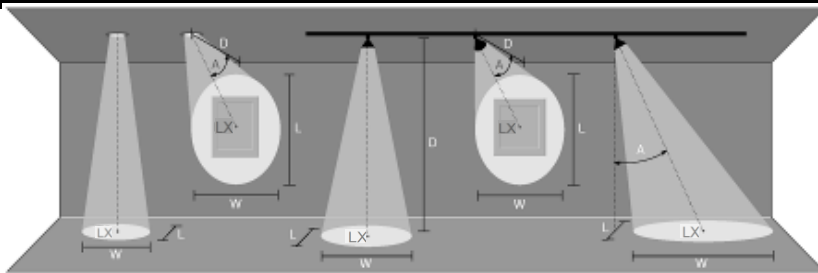
• **Block Screen**
LENS-203-BS/ LENS-204-BS/ LENS-205-BS

• **Honeycomb Louver**
LENS-20-HCL

• **UV- IR Filter**
LENS-20-UI

• **Hood (for wall-washing)**
HOOD-20-BK

Photometry



D Distance To Fixture From Wall Or Floor
LX Initial lux Level At Center Of Beam
L Beam Length (where candlepower drops to 50% of maximum)
W Beam Width (where candlepower drops to 50% of maximum)

WTK- LED510W 10 DEG			
0° Aiming Angle			
D(m)	LUX	L	W
1	3570	0.2	0.2
2	893	0.4	0.4
3	397	0.6	0.6
4	223	0.8	0.8
45° Aiming Angle			
D(m)	LUX	L	W
1	1262	0.4	0.3
2	316	0.8	0.5
3	140	1.2	0.8
4	79	1.5	1.1

WTK- LED510W 25 DEG			
0° Aiming Angle			
D(m)	LUX	L	W
1	1285	0.4	0.4
2	321	0.9	0.9
3	143	1.3	1.3
4	80	1.7	1.7
45° Aiming Angle			
D(m)	LUX	L	W
1	454	0.9	0.6
2	114	1.8	1.2
3	50	2.7	1.8
4	28	3.6	2.4

WTK- LED510W 40 DEG			
0° Aiming Angle			
D(m)	LUX	L	W
1	680	0.9	0.9
2	170	1.8	1.8
3	76	2.8	2.8
4	43	3.7	3.7
45° Aiming Angle			
D(m)	LUX	L	W
1	240	2.3	1.3
2	60	4.7	2.6
3	27	7.0	3.9
4	15	9.3	5.2

