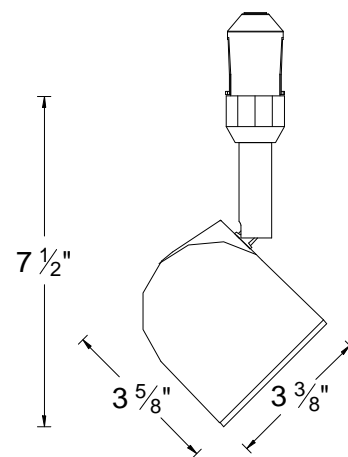
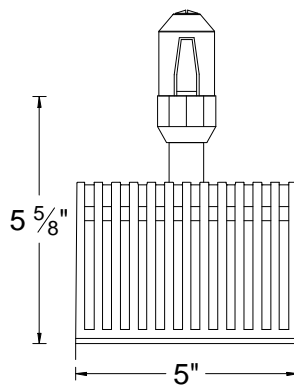


CATALOG NUMBER	TYPE
PROJECT	

FLEXRAIL2 – LINE VOLTAGE TRACK HEAD **SERIES HM-150**



Ordering Matrix		
Series	Model	Finish
HM	150	PT BZ

Ordering Example (series number – model number – finish): HM-150-BZ

Product Details	
Description:	Line voltage halogen wall wash type track head with vertical louvers for use on Flexrail2 track system. Utilizes t-style quart halogen lamp and internal reflector to give out uniform wall illumination.
Materials:	Track head and connector are die-cast aluminum. Track adaptor is polycarbonate. Medium base lamp socket is porcelain with nickel-plated copper shell.
Aiming:	350° horizontal rotation and 90° vertical aiming with ball and hub mounting feature. All die-cast parts assure the aiming angle is kept in place through continuous use and maintenance.
Lamping:	120V 150w linear halogen. T150S lamp included.
Finish:	Abrasion resistant platinum or bronze paint finish. PT = Platinum metal finish BZ = Designer Bronze metal finish
Listing:	UL & CUL Listed.

Specification Features
<ul style="list-style-type: none"> Architectural die-cast aluminum track head with smooth aiming and contemporary design. The HM-150 is dimmable with any incandescent dimmer switch that uses a grounded neutral connection. The Flexrail2 circuit with the HM-150 should only be shared with other incandescent fixtures if you are planning on dimming. 5 year product warranty