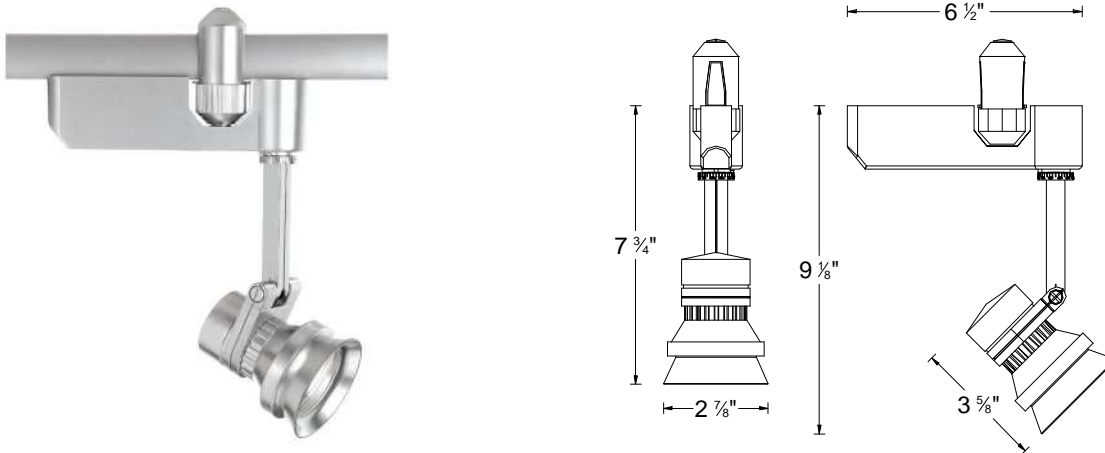


<b>CATALOG NUMBER</b>	<b>TYPE</b>
<b>PROJECT</b>	

**FLEXRAIL2 – LOW VOLTAGE TRACK HEAD**

**SERIES HM-163**



Ordering Matrix		
Series	Model	Finish
HM	163 (50w max)      163L (75w max)	PT      BZ

Ordering Example (series number – model number – finish): HM-163L-PT

Product Details	Specification Features
<p><b>Description:</b> Flexrail2 compatible low voltage track head with integral electronic transformer. Available in a 50w version for MR16 lamps as well as a high wattage version for use with MR16 lamps up to 75W.</p> <p><b>Materials:</b> Transformer case is molded G.E. Lexan, track assembly and head are die cast aluminum. Lamp socket is a ceramic bi-pin.</p> <p><b>Transformer:</b> Electronic low voltage with auto-reset, soft start and short circuit protection features. Dimmable with electronic low voltage dimmers.</p> <p><b>Aiming:</b> 350° horizontal rotation and 90° vertical aiming with built-in degree scales on fixture. Two inset screws (one on each side of fixture) allow for locking fixture aiming angle.</p> <p><b>Lamping:</b> 50w MR16 maximum with HM-163 model. 75w MR16 maximum with HM-163L model.</p> <p><b>Accessories:</b> The HM-163 and HM-163L can use up to two lens accessories, the clear lens supplied with the unit and one additional lens accessory or remove the supplied lens and use two accessories.</p> <p><b>Finish:</b> Abrasion resistant platinum or bronze paint finish. PT = Platinum metal finish BZ = Designer Bronze metal finish</p> <p><b>Listing:</b> UL &amp; CUL Listed.</p>	<ul style="list-style-type: none"> <li>• Architectural die-cast aluminum performance track head with lockable aiming and modern lamping options.</li> <li>• Both transformer case and track head assembly are painted in a matching finish.</li> <li>• Threaded easy turn check ring within lens cap allows for multiple captive accessories.</li> <li>• Electronic transformer soft start feature is designed to protect lamps from abrupt inrush current. The solid state circuitry promotes cool and quiet operation.</li> <li>• 5 year product warranty.</li> </ul>