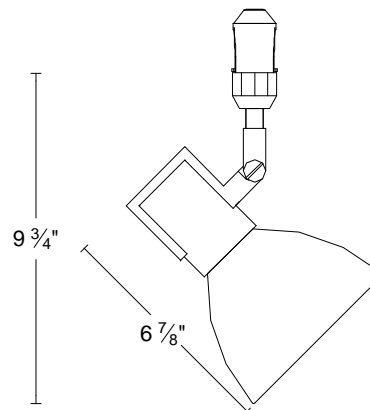
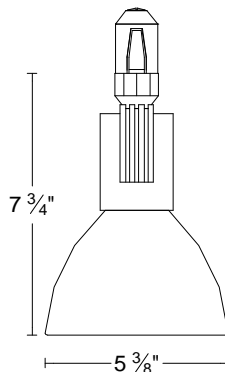


<b>CATALOG NUMBER</b>	<b>TYPE</b>
<b>PROJECT</b>	

**FLEXRAIL2 – LINE VOLTAGE TRACK HEAD**

**SERIES HM-775**



**Ordering Matrix**

Series	Model	Finish
<input type="text"/>	<input type="text"/>	<input type="text"/>
HM	775	BZ PT

Ordering Example (series number – model number – finish): HM-775-PT

**Product Details**

<b>Description:</b>	Flexrail2 compatible mini-dome style line voltage track head utilizing PAR38 lamps.
<b>Materials:</b>	Track head and connector are die-cast aluminum. Track adaptor is polycarbonate. Medium base lamp socket is porcelain with nickel-plated copper shell.
<b>Aiming:</b>	350° horizontal rotation and 90° vertical aiming with rotating & locking yoke mount feature. Twin locking screws assure the aiming tension is kept through continuous use and maintenance.
<b>Lamping:</b>	Uses PAR38 lamp. 150W maximum.
<b>Finish:</b>	Abrasion resistant platinum or bronze paint finish. BZ = Designer Bronze metal finish PT = Platinum metal finish
<b>Listing:</b>	UL & CUL Listed.

**Specification Features**

- Architectural die-cast aluminum track head with smooth aiming and contemporary design.
- PAR38 lamp beam spreads available in choices ranging from 8 to 60 degrees to allow for a wide variety of application specific lighting patterns.
- 5 year product warranty.