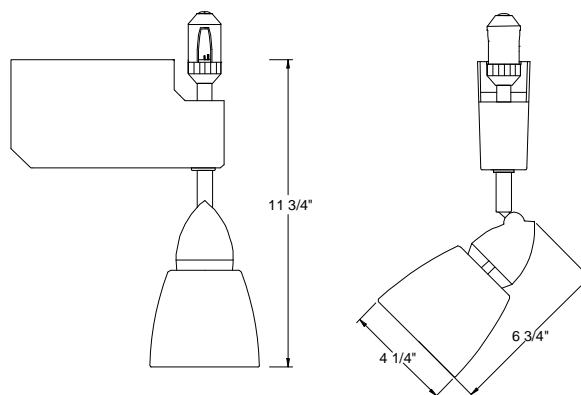


CATALOG NUMBER	TYPE
PROJECT	

FLEXRAIL2 – MH TRACK HEAD **SERIES HM-784**



Ordering Matrix				
Model	Lamp		Finish	
HM-784	MH39E	MH70E	PT	BZ

Ordering Example (model number - lamp - finish) : HM-784-MH70E-PT

Product Details	
Description:	Flexrail2 compatible metal halide track head utilizing PAR30 MH lamps and electronic ballasts. Ballast case has integral on / off switch and support security bracket.
Materials:	Ballast case and lampholder assembly are die cast aluminum, track head cone is corrosion protected steel. Lamp socket is medium base porcelain with nickel-plated copper shell, 4 kV rated.
Ballast:	Pulse start electronic ballast, 120V.
Aiming:	350° horizontal rotation and 90° vertical aiming with integral ball and swivel mounting feature. Adjustment of aiming angle is accomplished without the need for tools.
Lamping:	MH39E = 39w PAR30 metal halide MH70E = 70w PAR30 metal halide
Finish:	Abrasion resistant platinum or bronze paint finish. PT = Platinum metal finish BZ = Designer Bronze metal finish
Listing:	UL & CUL Listed.

Specification Features
<ul style="list-style-type: none"> Modern cone design architectural grade track head utilizing high color rendering (CRI) metal halide lamps. Ballast case has integral on / off switch for easy lamp maintenance when track heads are mounted on a complete system. Electronic ballast consumes less energy than similar wattage magnetic ballast. This ballast increases lamp life, has end of life protection and reduces visual flicker. 5 year product warranty.

39w Ballast Data	
ANSI #	M-130
Operating Amps	0.37A
Total Input Power	44W
Power Factor	>95%
Sound Rating	A
Harmonic Distortion	<10%

70w Ballast Data	
ANSI #	M-98
Operating Amps	0.67A
Total Input Power	80W
Power Factor	>95%
Sound Rating	A
Harmonic Distortion	<10%