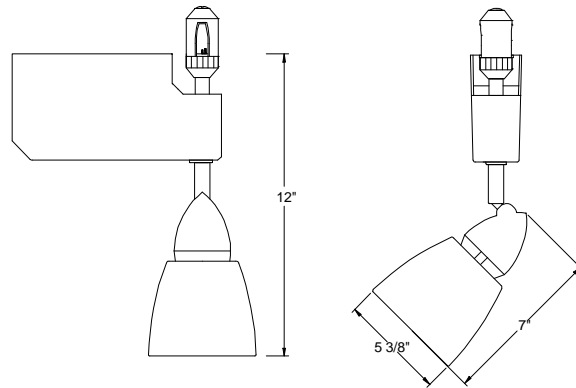


<b>CATALOG NUMBER</b>	<b>TYPE</b>
<b>PROJECT</b>	

**FLEXRAIL2 – MH TRACK HEAD** **SERIES HM-785**



Ordering Matrix				
Model	Lamp		Finish	
HM-785	MH70E	MH100E	PT	BZ

Ordering Example (model number – lamp – finish): HM-785-MH100E-PT

Product Details	
<b>Description:</b>	Flexrail2 compatible metal halide track head utilizing PAR38 MH lamps and electronic ballasts. Ballast case has integral on / off switch and support security bracket.
<b>Materials:</b>	Ballast case and lampholder assembly are die cast aluminum, track head cone is corrosion protected steel. Lamp socket is medium base porcelain with nickel-plated copper shell, 4 kV rated.
<b>Ballast:</b>	Pulse start electronic ballast, 120V.
<b>Aiming:</b>	350° horizontal rotation and 90° vertical aiming with integral ball and swivel mounting feature. Adjustment of aiming angle is accomplished without the need for tools.
<b>Lamping:</b>	MH70E = 70w PAR38 metal halide MH100E = 100w PAR38 metal halide
<b>Finish:</b>	Abrasion resistant platinum or bronze paint finish. PT = Platinum metal finish BZ = Designer Bronze metal finish
<b>Listing:</b>	UL & CUL Listed.

Specification Features
<ul style="list-style-type: none"> <li>• Modern cone design architectural grade track head utilizing high color rendering (CRI) metal halide lamps.</li> <li>• Ballast case has integral on / off switch for easy lamp maintenance when track heads are mounted on a complete system.</li> <li>• Electronic ballast consumes less energy than similar wattage magnetic ballast. This ballast increases lamp life, has end of life protection and reduces visual flicker.</li> <li>• 5 year product warranty.</li> </ul>

70w Ballast Data	
ANSI #	M-98
Operating Amps	0.67A
Total Input Power	80W
Power Factor	>95%
Sound Rating	A
Harmonic Distortion	<10%

100w Ballast Data	
ANSI #	M-140
Operating Amps	1.0A
Total Input Power	120W
Power Factor	>95%
Sound Rating	A
Harmonic Distortion	<10%