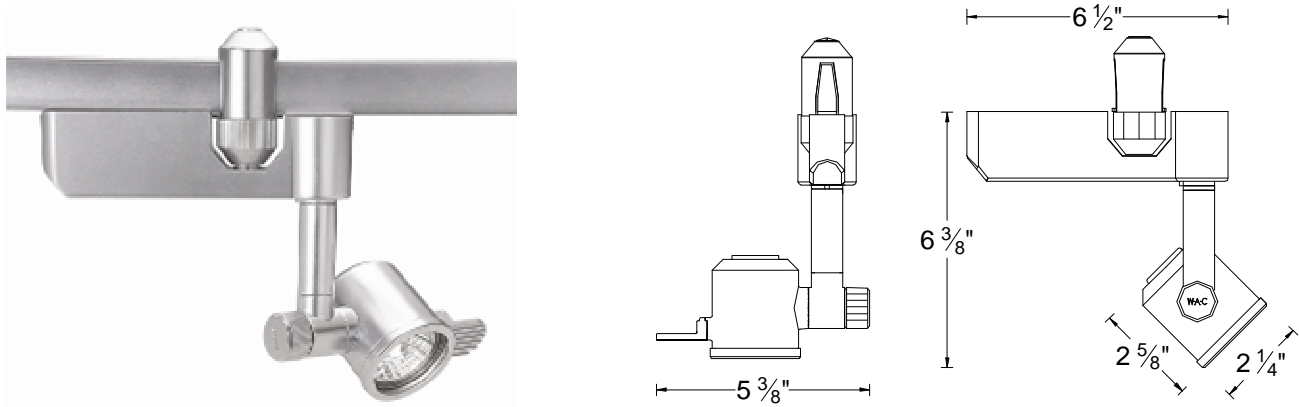


CATALOG NUMBER	TYPE
PROJECT	

FLEXRAIL2 – LOW VOLTAGE TRACK HEAD

SERIES HM-846



Ordering Matrix				
Series	Model		Finish	
HM				
HM	846 (50w max)	846L (75w max)	PT	BZ

Ordering Example (series number – model number – finish): HM-846L-PT

Product Details	
Description:	Flexrail2 compatible low voltage track head with integral electronic transformer. Available in either a 50w or 75w version. Utilizes MR16 lamps.
Materials:	Transformer case is molded G.E. Lexan, track assembly and head are die cast aluminum. Lamp socket is a ceramic bi-pin.
Transformer:	Electronic low voltage with auto-reset, soft start and short circuit protection features. Dimmable with electronic low voltage dimmers.
Aiming:	350° horizontal rotation and 90° vertical aiming with integral stem mounting feature. Locking screw assures the aiming angle is kept in place through continuous use and maintenance.
Lamping:	50w MR16 maximum with HM-846 model. 75w MR16 maximum with HM-846L model.
Accessories:	The clear lens supplied with the 846 can be replaced with one colored lens or lens accessory.
Finish:	Abrasion resistant platinum or bronze paint finish. PT = Platinum metal finish BZ = Designer Bronze metal finish
Listing:	UL & CUL Listed.

Specification Features
<ul style="list-style-type: none"> Architectural die-cast aluminum track head with lockable aiming and modern lamping options. Both transformer case and track head assembly are painted in a matching finish. Electronic transformer soft start feature is designed to protect lamps from abrupt inrush current. The solid state circuitry promotes cool and quiet operation. 5 year product warranty.