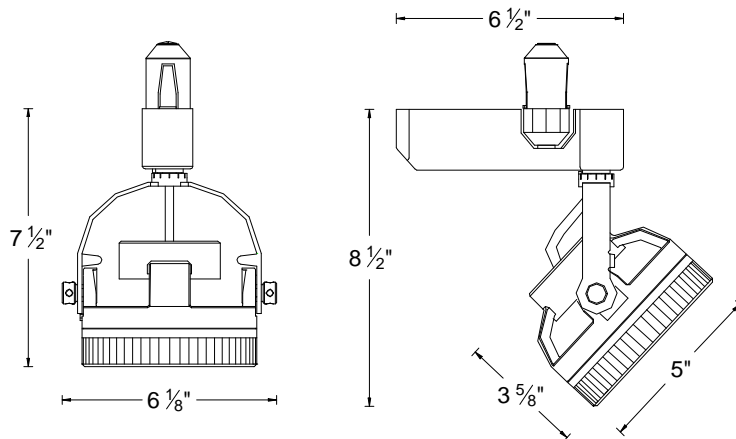


| | |
|-----------------------|-------------|
| CATALOG NUMBER | TYPE |
| PROJECT | |

FLEXRAIL2 – LOW VOLTAGE TRACK HEAD **SERIES HM-935L**



| Ordering Matrix | | |
|-----------------|----------------|------------|
| Series | Model | Finish |
| [] | [] | [] |
| HM | 935L (75w max) | PT BZ |

Ordering Example (series number – model number – finish): HM-935L-BZ

| Product Details | |
|---------------------|---|
| Description: | Flexrail2 compatible low voltage track head with integral electronic transformer. Uses AR111 lamps up to 75w max. |
| Materials: | Transformer case is molded G.E. Lexan, track assembly and head are die cast aluminum. Lamp socket is a ceramic bi-pin. Provided lens is clear tempered glass. |
| Transformer: | Electronic low voltage with auto-reset, soft start and short circuit protection features. Dimmable with electronic low voltage dimmers. |
| Aiming: | 350° horizontal rotation and 90° vertical aiming with built-in degree scales on fixture. Two die-cast knobs (one on each side of fixture) allow for locking fixture aiming angle. |
| Lamping: | 75w AR111 maximum. |
| Accessories: | The HM-935L can use up to two lens accessories, the clear lens supplied with the unit and one additional lens accessory or remove the supplied lens and use two accessories. |
| Finish: | Abrasion resistant platinum or bronze paint finish. PT = Platinum metal finish BZ = Designer Bronze metal finish |
| Listing: | UL & CUL Listed. |

| Specification Features |
|--|
| <ul style="list-style-type: none"> Both transformer case and track head assembly are painted in a matching finish. Lens cap has internal tension spring clips allowing for the use of up to two captive lens accessories. Electronic transformer soft start feature is designed to protect lamps from abrupt inrush current. The solid state circuitry promotes cool and quiet operation. 5 year product warranty. |