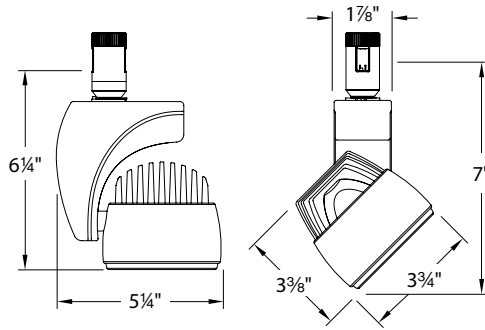


REFLEX – model: LED18

LEDme® Flexrail1™ Luminaire

WAC LIGHTING

Responsible Lighting®



Fixture Type:

Catalog Number:

Project: _____

Location: _____

PRODUCT DESCRIPTION

High performance and precise thermal management with robust die-cast construction makes this luminaire perfect for general, accent and wall wash applications in residential, commercial, retail and hospitality environments.

FEATURES

- Available in two interchangeable reflector designs
- 360° horizontal rotation and 180° vertical aiming
- Free of projected heat, UV and IR radiation
- Replaceable LED module (consult factory)
- 50,000 hour rated life
- Accepts 1 lens or accessory
- 5 year WAC Lighting product warranty

FIXTURE PERFORMANCE

Model #	Beam	Color Temp	Lumens	Efficacy	CBCP	CRI
LED18S-27	10°	2700K	849	48.5 Lm/W	6386	85
LED18F-27	25°	2700K	870	50.0 Lm/W	3519	85
LED18S-WW	10°	3000K	849	48.5 Lm/W	6330	85
LED18F-WW	25°	3000K	871	50.1 Lm/W	4380	85
LED18S-35	10°	3500K	904	52.1 Lm/W	7602	80
LED18F-35	25°	3500K	926	53.0 Lm/W	3920	80
LED18S-CW	10°	4500K	1003	57.3 Lm/W	8678	80
LED18F-CW	25°	4500K	1017	58.1 Lm/W	5071	80

SPECIFICATIONS

Construction: Die-cast aluminum body and clear lens.

Driver: Input voltage: 100V~240VAC 50/60Hz. High power factor >0.9.
Max Load: 18W.

Light Source: 6 × 3W Cree LED.
Total power consumption of 17.5W with included drivers.

Dimming: May be dimmed to 8% with electronic low voltage (ELV) dimmer.

Finish: Dark Bronze (DB) and Platinum (PT) powder coat paint.

Standards: UL & CUL Listed.

ORDER NUMBER

System	Model #	Beam Spread	Color Temp	Finish
HM1	LED18	S 10°	27 2700K	DB Dark Bronze
		F 25°	WW 3000K	PT Platinum
			35 3500K	
			CW 4500K	

FINISHES

DB



PT



HM1 - **LED18** - -

Example: HM1-LED18S-WW-DB

ACCESSORIES

Color Lens	LENS-25-	AMB Amber	Frosted Lens	LENS-25-FR
Dichroic Color Lens	LENS-25-DIC-	BLU Blue	Spread Lens	LENS-25-SPR
		GRN Green	Beam Elongating Lens	LENS-25-BEL
		RED Red	Honeycomb Louver	LENS-25-HCL
		YEL Yellow		

WAC Lighting

www.waclighting.com

Phone (800) 526.2588 • Fax (800) 526.2585

Headquarters/Eastern Distribution Center

44 Harbor Park Drive • Port Washington, NY 11050

Phone (516) 515.5000 • Fax (516) 515.5050

Western Distribution Center

1750 Archibald Avenue • Ontario, CA 91760

Phone (800) 526.2588 • Fax (800) 526.2585

REFLEX – model: LED18

Photometrics

LAMP PERFORMANCE – 2700K

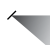
 0° Aiming Angle (ceiling to floor)

LED18S-27
10° beam

Distance	FC	L	W
6 ft	177	1.7	1.7
8 ft	100	2.3	2.3
10 ft	64	2.8	2.8
12 ft	44	3.4	3.4

LED18F-27
25° beam

Distance	FC	L	W
6 ft	98	2.4	2.4
8 ft	55	3.2	3.2
10 ft	35	4.1	4.1
12 ft	24	4.9	4.9

 45° Aiming Angle (ceiling to wall)

LED18S-27
10° beam

Distance	FC	L	W
6 ft	63	3.5	2.4
8 ft	34	4.6	3.2
10 ft	23	5.8	4.0
12 ft	19	6.9	4.8

LED18F-27
25° beam

Distance	FC	L	W
6 ft	35	5.1	3.4
8 ft	19	6.8	4.6
10 ft	12	8.4	5.7
12 ft	9	10.1	6.9

LAMP PERFORMANCE – 3000K

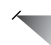
 0° Aiming Angle (ceiling to floor)

LED18S-WW
10° beam

Distance	FC	L	W
6 ft	176	1.7	1.7
8 ft	99	2.2	2.2
10 ft	63	2.8	2.8
12 ft	44	3.3	3.3

LED18F-WW
25° beam

Distance	FC	L	W
6 ft	122	2.3	2.3
8 ft	68	3.0	3.0
10 ft	44	3.8	3.8
12 ft	30	4.6	4.6

 45° Aiming Angle (ceiling to wall)

LED18S-WW
10° beam

Distance	FC	L	W
6 ft	62	3.4	2.3
8 ft	35	4.5	3.1
10 ft	22	5.6	3.9
12 ft	16	6.7	4.7

LED18F-WW
25° beam

Distance	FC	L	W
6 ft	43	4.7	3.2
8 ft	24	6.3	4.3
10 ft	15	7.9	5.4
12 ft	11	9.5	6.4

LAMP PERFORMANCE – 3500K

 0° Aiming Angle (ceiling to floor)

LED18S-35
10° beam

Distance	FC	L	W
6 ft	211	1.6	1.6
8 ft	119	2.1	2.1
10 ft	76	2.6	2.6
12 ft	53	3.1	3.1

LED18F-35
25° beam

Distance	FC	L	W
6 ft	109	2.4	2.4
8 ft	61	3.2	3.2
10 ft	39	4.0	4.0
12 ft	27	4.8	4.8

 45° Aiming Angle (ceiling to wall)

LED18S-35
10° beam

Distance	FC	L	W
6 ft	75	3.2	2.2
8 ft	42	4.3	3.0
10 ft	27	5.3	3.7
12 ft	19	6.4	4.4

LED18F-35
25° beam

Distance	FC	L	W
6 ft	38	5.0	3.4
8 ft	22	6.6	4.5
10 ft	14	8.3	5.6
12 ft	10	9.9	6.8

LAMP PERFORMANCE – 4500K

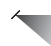
 0° Aiming Angle (ceiling to floor)

LED18S-CW
10° beam

Distance	FC	L	W
6 ft	241	1.5	1.5
8 ft	136	2.0	2.0
10 ft	87	2.6	2.6
12 ft	60	3.1	3.1

LED18F-CW
25° beam

Distance	FC	L	W
6 ft	141	2.3	2.3
8 ft	79	3.0	3.0
10 ft	51	3.8	3.8
12 ft	35	4.5	4.5

 45° Aiming Angle (ceiling to wall)

LED18S-CW
10° beam

Distance	FC	L	W
6 ft	85	3.1	2.2
8 ft	48	4.2	2.9
10 ft	31	5.2	3.6
12 ft	21	6.3	4.3

LED18F-CW
25° beam

Distance	FC	L	W
6 ft	50	4.7	3.2
8 ft	28	6.3	4.3
10 ft	18	7.8	5.3
12 ft	12	9.4	6.4

FC– Initial footcandle level at the center of the beam

L– Beam length at the point the candlepower drops off to 50% of maximum*

W– Beam width at the point the candlepower drops off to 50% of maximum*

*Measured in feet

WAC Lighting

www.waclighting.com

Phone (800) 526.2588 • Fax (800) 526.2585

Headquarters/Eastern Distribution Center

44 Harbor Park Drive • Port Washington, NY 11050

Phone (516) 515.5000 • Fax (516) 515.5050

Western Distribution Center

1750 Archibald Avenue • Ontario, CA 91760

Phone (800) 526.2588 • Fax (800) 526.2585