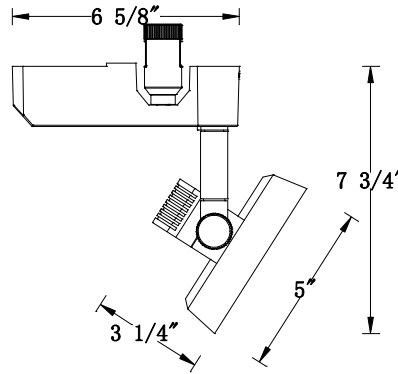


CATALOG NUMBER	TYPE
PROJECT	

FLEXRAIL1™ – LOW VOLTAGE TRACK HEAD

SERIES HM1-936



Ordering Matrix				
Series	Model		Finish	
<input type="text"/>	<input type="text"/>		<input type="text"/>	
HM1	936	936L	DB	PT

Ordering Example (series number – model number – finish): HM1-936-DB

Product Details	
Description:	Flexrail1™ compatible cone style low voltage track head utilizing PAR36 and AR111 lamps.
Materials:	Die-cast aluminum track head with polycarbonate transformer case and track adaptor.
Socket:	Wire screw terminals G53.
Transformer:	Integral electronic transformer for 12 volt PAR36 and AR111 lamps. 120V input.
Lamping:	PAR36 and AR111 lamp 50W MAX. for the 936 and AR111 lamp 75W MAX. for the 936L (LAMP sold separately)
Aiming:	350° horizontal rotation and 90° vertical aiming, One locking tension knob serves as part of the fixture design and retains the vertical aiming. All die-cast parts assure the aiming tension is kept through continuous use and maintenance.
Finish:	Abrasion resistant platinum or bronze paint finish. DB = Dark Bronze metal finish PT = Platinum metal finish
Listing:	UL & CUL Listed.

Specification Features
<ul style="list-style-type: none"> Die-cast aluminum track head with smooth aiming and contemporary design. The supplied clear glass lens can be replaced with one lens accessory such as a colored dichroic lens, UV filter lens, frosted lens, etc. See catalog or website for full lens accessory selection. 5 year WAC Lighting product warranty.