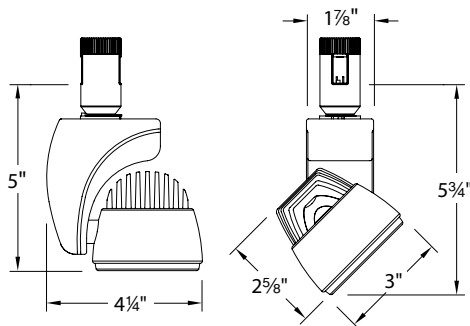


REFLEX – model: LED9

LEDme® Flexrail1™ Luminaire

WAC LIGHTING
Responsible Lighting®



Fixture Type:

Catalog Number:

Project: _____

Location: _____

PRODUCT DESCRIPTION

High performance and precise thermal management with robust die-cast construction makes this luminaire perfect for general, accent and wall wash applications in residential, commercial, retail and hospitality environments.

FEATURES

- Available in two interchangeable reflector designs
- 360° horizontal rotation and 180° vertical aiming
- Free of projected heat, UV and IR radiation
- Replaceable LED module (consult factory)
- 50,000 hour rated life
- Accepts 1 lens or accessory
- 5 year WAC Lighting product warranty

FIXTURE PERFORMANCE

Model #	Beam	Color Temp	Lumens	Efficacy	CBCP	CRI
LED9S-27	10°	2700K	413	47.5 Lm/W	2916	85
LED9F-27	25°	2700K	428	49.2 Lm/W	1674	85
LED9S-WW	10°	3000K	413	47.5 Lm/W	3044	85
LED9F-WW	25°	3000K	428	49.2 Lm/W	1887	85
LED9S-35	10°	3500K	439	50.5 Lm/W	2745	80
LED9F-35	25°	3500K	456	52.4 Lm/W	1226	80
LED9S-CW	10°	4500K	537	62.0 Lm/W	4573	80
LED9F-CW	25°	4500K	554	64.0 Lm/W	2685	80

SPECIFICATIONS

Construction: Die-cast aluminum body and clear lens.

Driver: Input voltage: 100V~240VAC 50/60Hz. High power factor >0.9.
Max Load: 9W

Light Source: 3 × 3W Cree LED.
Total power consumption of 8.7W with included driver.

Dimming: May be dimmed to 8% with electronic low voltage (ELV) dimmer.

Finish: Dark Bronze (DB) and Platinum (PT) powder coat paint.

Standards: UL & CUL Listed.

ORDER NUMBER

System	Model #	Beam Spread	Color Temp	Finish
HM1	LED9	S 10°	27 2700K	DB Dark Bronze
		F 25°	WW 3000K	PT Platinum
			35 3500K	
			CW 4500K	

FINISHES

DB



PT



HM1 - **LED9** - - -

Example: HM1-LED9S-WW-DB

ACCESSORIES

Color Lens	LENS-20-	AMB Amber	Frosted Lens	LENS-20-FR
Dichroic Color Lens	LENS-20-DIC-	BLU Blue	Spread Lens	LENS-20-SPR
		GRN Green	Beam Elongating Lens	LENS-20-BEL
		RED Red	Honeycomb Louver	LENS-20-HCL
		YEL Yellow		

WAC Lighting
www.waclighting.com
Phone (800) 526.2588 • Fax (800) 526.2585

Headquarters/Eastern Distribution Center
44 Harbor Park Drive • Port Washington, NY 11050
Phone (516) 515.5000 • Fax (516) 515.5050

Western Distribution Center
1750 Archibald Avenue • Ontario, CA 91760
Phone (800) 526.2588 • Fax (800) 526.2585

REFLEX – model: LED9

Photometrics

WAC LIGHTING

Responsible Lighting®

LAMP PERFORMANCE – 2700K

 0° Aiming Angle (ceiling to floor)

LED9S-27
10° beam

Distance	FC	L	W
6 ft	81	1.6	1.6
8 ft	46	2.2	2.2
10 ft	29	2.7	2.7
12 ft	20	3.2	3.2

LED9F-27
25° beam

Distance	FC	L	W
6 ft	47	2.5	2.5
8 ft	26	3.3	3.3
10 ft	17	4.1	4.1
12 ft	12	4.9	4.9

 45° Aiming Angle (ceiling to wall)


LED9S-27
10° beam

Distance	FC	L	W
6 ft	29	3.3	2.3
8 ft	16	4.4	3.1
10 ft	10	5.5	3.8
12 ft	7	6.6	4.6

LED9F-27
25° beam

Distance	FC	L	W
6 ft	16	5.1	3.5
8 ft	9	6.9	4.6
10 ft	6	8.6	5.8
12 ft	4	10.3	7.0

LAMP PERFORMANCE – 3000K

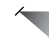
 0° Aiming Angle (ceiling to floor)

LED9S-WW
10° beam

Distance	FC	L	W
6 ft	85	1.5	1.5
8 ft	48	2.0	2.0
10 ft	30	2.5	2.5
12 ft	21	3.0	3.0

LED9F-WW
25° beam

Distance	FC	L	W
6 ft	52	2.4	2.4
8 ft	29	3.1	3.1
10 ft	19	3.9	3.9
12 ft	13	4.7	4.7

 45° Aiming Angle (ceiling to wall)

LED9S-WW
10° beam

Distance	FC	L	W
6 ft	30	3.1	2.1
8 ft	17	4.1	2.9
10 ft	11	5.1	3.6
12 ft	7	6.2	4.3

LED9F-WW
25° beam

Distance	FC	L	W
6 ft	19	4.9	3.3
8 ft	10	6.5	4.4
10 ft	7	8.2	5.5
12 ft	5	9.8	6.7

LAMP PERFORMANCE – 3500K

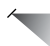
 0° Aiming Angle (ceiling to floor)

LED9S-35
10° beam

Distance	FC	L	W
6 ft	76	1.5	1.5
8 ft	43	2.0	2.0
10 ft	27	2.5	2.5
12 ft	19	3.0	3.0

LED9F-35
25° beam

Distance	FC	L	W
6 ft	34	2.7	2.7
8 ft	19	3.6	3.6
10 ft	12	4.5	4.5
12 ft	9	5.4	5.4

 45° Aiming Angle (ceiling to wall)

LED9S-35
10° beam

Distance	FC	L	W
6 ft	27	3.1	2.1
8 ft	15	4.1	2.8
10 ft	10	5.1	3.5
12 ft	7	6.1	4.3

LED9F-35
25° beam

Distance	FC	L	W
6 ft	12	5.7	3.8
8 ft	7	7.6	5.1
10 ft	4	9.5	6.3
12 ft	3	11.3	7.6

LAMP PERFORMANCE – 4500K

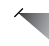
 0° Aiming Angle (ceiling to floor)

LED9S-CW
10° beam

Distance	FC	L	W
6 ft	127	1.6	1.6
8 ft	71	2.1	2.1
10 ft	46	2.6	2.6
12 ft	32	3.1	3.1

LED9F-CW
25° beam

Distance	FC	L	W
6 ft	75	2.2	2.2
8 ft	42	3.0	3.0
10 ft	27	3.7	3.7
12 ft	19	4.5	4.5

 45° Aiming Angle (ceiling to wall)

LED9S-CW
10° beam

Distance	FC	L	W
6 ft	45	3.2	2.2
8 ft	25	4.3	3.0
10 ft	16	5.3	3.7
12 ft	11	6.4	4.4

LED9F-CW
25° beam

Distance	FC	L	W
6 ft	26	4.7	3.2
8 ft	15	6.2	4.2
10 ft	9	7.8	5.3
12 ft	7	9.3	6.4

FC– Initial footcandle level at the center of the beam

L– Beam length at the point the candlepower drops off to 50% of maximum*

W– Beam width at the point the candlepower drops off to 50% of maximum*

*Measured in feet

WAC Lighting

www.waclighting.com

Phone (800) 526.2588 • Fax (800) 526.2585

Headquarters/Eastern Distribution Center

44 Harbor Park Drive • Port Washington, NY 11050

Phone (516) 515.5000 • Fax (516) 515.5050

Western Distribution Center

1750 Archibald Avenue • Ontario, CA 91760

Phone (800) 526.2588 • Fax (800) 526.2585