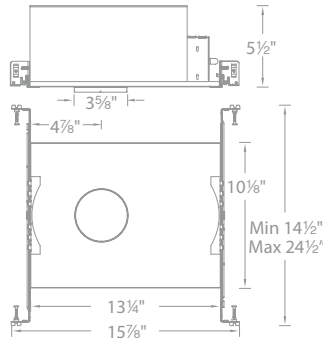


HR-2LED-H09D

2" Tesla™ New Construction Housing
IC-Rated – Airtight

WAC LIGHTING
Responsible Lighting®



Fixture Type:

Catalog Number:

Project:

Location:

PRODUCT DESCRIPTION

IC-Rated, airtight, new construction housing.
For use with HR-2LED Tesla 2" Pro and Tesla 2" series trims.

FEATURES

- IC-Rated
- Airtight
- Cutout: 3 7/8"
- 120 - 277 VAC Input
- Provided with push-in wire connector for easy installation
- Accommodates ceiling thickness from 1/2"-3/4"
- 5 year WAC Lighting product warranty

ORDER NUMBER

HR-2LED-H09D-ICA	<i>New Construction IC-Rated, Airtight</i>
HR-2LED-H09D-ICAC	<i>New Construction IC-Rated, Airtight Chicago Plenum</i>

HR-2LED-H09D –

Example: **HR-2LED-H09D-ICAC**

SPECIFICATIONS

Construction: Housing and junction box are 20 gauge steel.
Frame and hanger bars are heavy gauge galvanized steel.

J-Box: Seven knockouts and four Romex® style wiring connectors provided for ease of installation. Rated for branch wiring.

Driver: Electronic driver, 120 - 277VAC input, 14.5W output.
Power factor >0.9. Dimming with thermal protection.

Mounting: Supplied with hanger bars, adjustable from 14 1/2"-24 1/2" to accommodate various joist construction and grid sizes. Hanger bars include a captive mounting "screw-nail" for ease of installation. Accommodates surfaces from 1/2"-3/4" thick. 3 7/8" cutout hole.

Dimming: 0-10V Dimming: 100%-10%
ELV Dimming: 100%-15% (120V only)

Standards: IC-Rated- Suitable for direct contact with insulation.
Airtight
ETL & cETL Listed.
HR-2LED-H09D-ICAC is Chicago Plenum Rated

COMPATIBLE TRIMS See individual trim spec sheets for complete order number and specifications

Tesla Pro 2"

HR2LED-ET109P Series <i>Round, High Brightness Wet Location Listed Energy Star®</i>	HR2LEDT409P Series <i>Round, 30°- 45° Adjustable Energy Star®</i>
HR2LEDT109P Series <i>Round, Open Reflector Energy Star®</i>	HR2LEDT209P Series <i>Round, Shower Light Wet Location Listed Energy Star®</i>
HR2LEDT309P Series <i>Round, 0°- 30° Adjustable Energy Star®</i>	HR2LEDT709P Series <i>Square, Open Reflector Energy Star®</i>
	HR2LEDT509P Series <i>Square, 0°- 30° Adjustable Energy Star®</i>

Tesla 2"

HR-2LED-ET109 Series <i>Round, High Brightness Wet Location Listed Energy Star®</i>	HR-2LED-T409 Series <i>Round, 30°- 45° Adjustable</i>
HR-2LED-T109 Series <i>Round, Open Reflector</i>	HR-2LED-T209 Series <i>Round, Shower Light Wet Location Listed</i>
HR-2LED-T309 Series <i>Round, 0°- 30° Adjustable</i>	HR-2LED-T709 Series <i>Square, Open Reflector</i>
	HR-2LED-T509 Series <i>Square, 0°- 30° Adjustable</i>

waclighting.com
Phone (800) 526.2588
Fax (800) 526.2585

Headquarters/Eastern Distribution Center
44 Harbor Park Drive
Port Washington, NY 11050

Central Distribution Center
1600 Distribution Ct
Lithia Springs, GA 30122

Western Distribution Center
1750 Archibald Avenue
Ontario, CA 91760