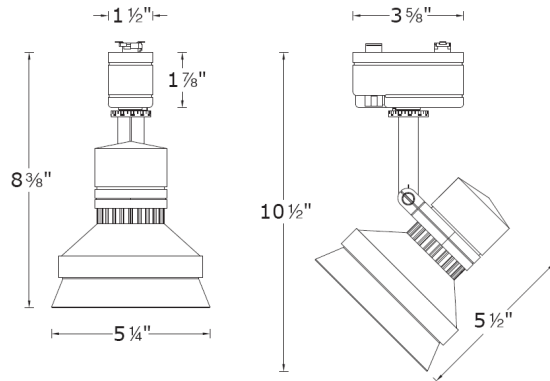


| | |
|-----------------------|-------------|
| CATALOG NUMBER | TYPE |
| PROJECT | |

PRECISION SPOT – LINE VOLTAGE TRACK HEAD

SERIES 727



Ordering Matrix

| Model | Finish | Accessories |
|-------|--------|-------------|
|-------|--------|-------------|

| | | |
|---------|-------------|-----------------------|
| JTK-727 | BK WT BK/PT | See accessories table |
|---------|-------------|-----------------------|

Ordering Example (*model – finish + optional accessories*): JTK-727-BK/PT + LENS-30-HCL + LENS-30-DIC-BLU

Product Details

| | |
|---------------------|--|
| Description: | Line voltage track heads using PAR30 lamps. Designed for use with WAC and W2. J & J2 series track. In addition they may fit other manufacturer's original track (consult factory for specific brands). |
| Materials: | Die-cast aluminum fixture, cap ring and check ring. Heavy gauge aiming screws painted to match fixture finish. |
| Socket: | Medium base 250V porcelain socket with nickel-plated copper screw shell. |
| Aiming: | 350° horizontal rotation and 90° vertical aiming with built-in degree scales on fixture. Two aiming screws (one on each side of fixture) allow for locking fixture aiming angle. |
| Lamping: | Re-lamps from the front using medium base PAR30 lamps, 75W max. |
| Finish: | Abrasion resistant paint finish. Available in Black (BK), White (WT), and Black on Platinum (BK/PT). |
| Listing: | UL & CUL Listed. Patent Pending. |

Specification Features

- Specification grade die-cast aluminum fixture with integral aiming indicators to assure precise directional adjustment.
- Threaded easy turn check ring within lens cap allows for multiple captive accessories.
- PAR30 lamp beam patterns available in 9, 12, 25, 30 & 50 degrees to allow application specific lighting.
- The 727 series track head utilizes the second circuit on the J2 style track with the use of the JClip.
- Accommodates one lens and one accessory.
- 5 year product warranty.

Track Adaptor Information

Standard Adaptor
For J style
W2 & W.A.C track



J2 Adaptor
For J2 style
W2 & W.A.C track



JCLIP
Ordered when using track
heads on 2nd circuit of J2



Compatible Accessories

LENS-30-DIC-COLOR
Dichroic Lenses

LENS-30-COLOR
Color Lenses

AMB = Amber ; BLU = Blue ; GRN = Green
RED = Red ; YEL = Yellow



LENS-30-HCL
Honeycomb Louver



LENS-30-CRL
Cross Louver

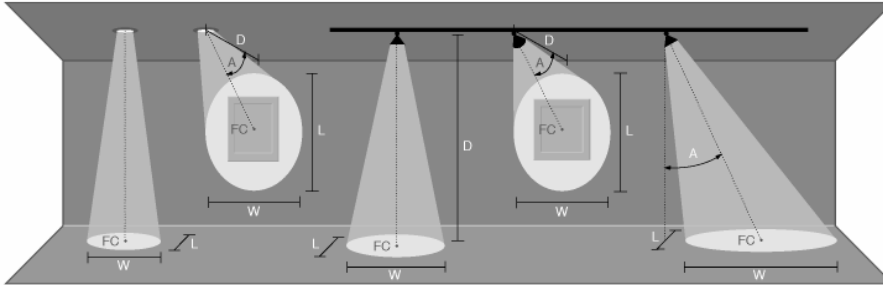


HOOD-095-BK
Light Deflecting Hood
for wall wash application



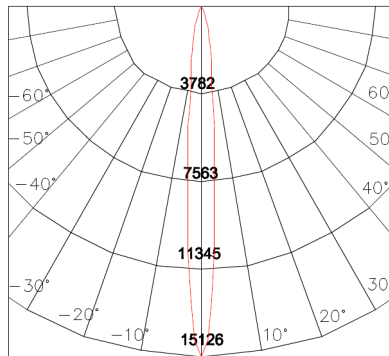
LENS-30-UVF
UV Filter
LENS-30-FR
Frosted Lens
LENS-30-SPR
Spread Lens
LENS30-BEL
Beam Elongating Lens

Photometry

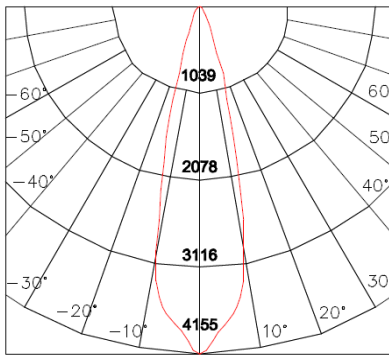


D Distance To Fixture From Wall Or Floor
FC Initial Footcandle Level At Center Of Beam
L Beam Length (where candlepower drops to 50% of maximum)
W Beam Width (where candlepower drops to 50% of maximum)

| 75W PAR30 NSP (10 DEG) | | | |
|------------------------|-----|-----|-----|
| 0° Aiming Angle | | | |
| D(ft) | FC | W | L |
| 6 | 420 | 0.9 | 0.9 |
| 9 | 187 | 1.4 | 1.4 |
| 12 | 105 | 1.9 | 1.9 |
| 15 | 67 | 2.4 | 2.4 |
| 45° Aiming Angle | | | |
| D(ft) | FC | W | L |
| 6 | 149 | 1.9 | 1.3 |
| 9 | 66 | 2.9 | 2.0 |
| 12 | 37 | 3.8 | 2.7 |
| 15 | 24 | 4.8 | 3.3 |



| 75W PAR30 NFL (25 DEG) | | | |
|------------------------|-----|------|-----|
| 0° Aiming Angle | | | |
| D(ft) | FC | W | L |
| 6 | 115 | 2.7 | 2.7 |
| 9 | 51 | 4.0 | 4.0 |
| 12 | 29 | 5.3 | 5.3 |
| 15 | 18 | 6.7 | 6.7 |
| 45° Aiming Angle | | | |
| D(ft) | FC | W | L |
| 6 | 41 | 5.6 | 3.8 |
| 9 | 18 | 8.4 | 5.6 |
| 12 | 10 | 11.2 | 7.5 |
| 15 | 7 | 14.0 | 9.4 |



| 75W PAR30 FL (40 DEG) | | | |
|-----------------------|----|------|------|
| 0° Aiming Angle | | | |
| D(ft) | FC | W | L |
| 6 | 62 | 4.4 | 4.4 |
| 9 | 27 | 6.6 | 6.6 |
| 12 | 15 | 8.7 | 8.7 |
| 15 | 10 | 10.9 | 10.9 |
| 45° Aiming Angle | | | |
| D(ft) | FC | W | L |
| 6 | 22 | 10.1 | 6.2 |
| 9 | 10 | 15.1 | 9.3 |
| 12 | 5 | 20.1 | 12.4 |
| 15 | 3 | 25.2 | 15.4 |

