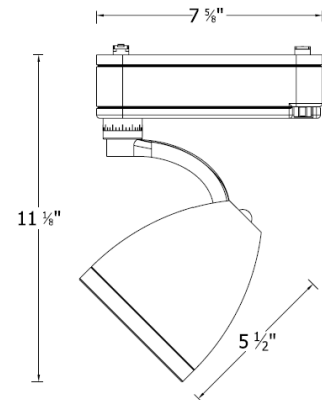
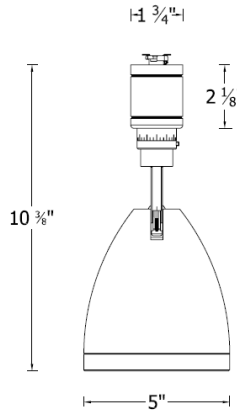


CATALOG NUMBER	TYPE
PROJECT	

LARC SPOT – METAL HALIDE TRACK HEAD

SERIES HID 301



Ordering Matrix

Model	Wattage	Finish
<input type="text"/>	<input type="text"/>	<input type="text"/>
JTK-HID301	39E = 39W 70E = 70W	BK = Black WT = White PT = Platinum

Ordering Example (model -Wattage- finish) : JTK-HID301-39E-WT

Product Details

Description: HID Metal Halide track head using CDM R111 lamps. Designed for use with WAC and W2 J & J2 series track. Adaptable to other manufacturer's track. (Consult factory for specific brands).

Materials: Die-cast aluminum fixture, cap ring and check ring. Clear 1/8 inch tempered glass lens included.

Ballast:

	39W	70W
(VS) ANSI #	M130	M139
Line Current	0.38 Amps	0.64 Amps
Input Power	45W	77W
Input Voltage	120V	120V
Power Factor	> 90%	> 90%
Sound Rating	A	A

Socket: Ceramic HID GX8.5

Aiming: 350° horizontal rotation and 90° vertical aiming with indexing scales. Spring loaded buttons lock to secure the aiming adjustment on horizontal and vertical axis.

Lamping: Re-lamps from the front using CDM R111 lamps. Lamp not included.

Finish: Powder coat paint finish. Available in Black (BK), White (WT), Platinum (PT).

Listing: UL & CUL Listed. Patent Pending.

Specification Features

- Die-cast aluminum fixture with integral indexing scales to assure precise directional adjustment.
- Threaded check ring within lens cap allows 2 captive accessories to be held securely.
- The HID301 track head utilizes the second circuit on the J2 style track with the use of the JCLIP.
- Accommodates up to 2 lenses and one accessory.
- 5 year product warranty.

Track Adaptor Information

Standard Adaptor
For J style
W2 & WAC track



J2 Adaptor
For J2 style
W2 & WAC track



JCLIP
Ordered when using track
heads on 2nd circuit of J2



Compatible Accessories

LENS-111-DIC-COLOR
Dichroic Lenses

LENS-111-COLOR
Color Lenses

AMB = Amber ; BLU = Blue ; GRN = Green
RED = Red ; YEL = Yellow



LENS-111-HCL
Honeycomb Louver



LENS-111-CRL
Cross Louver



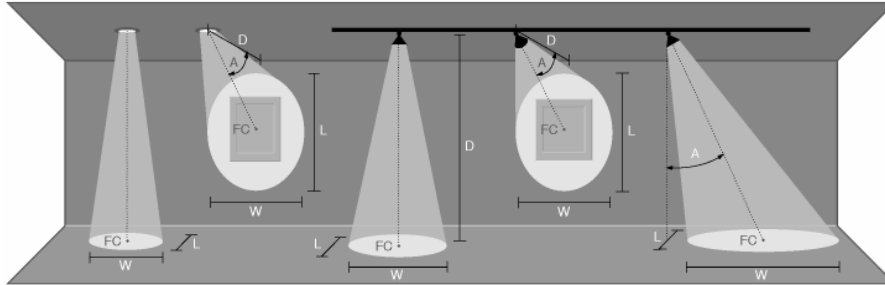
HOOD-111-BK
Light Deflecting Hood
for wall wash application



LENS-111-UVF
UV Filter

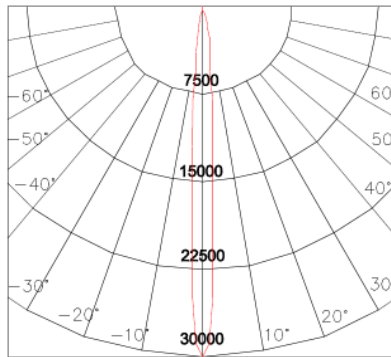
LENS-111-FR
Frosted Lens
LENS-111-SPR
Spread Lens
LENS-111-BEL
Beam Elongating Lens

Photometry

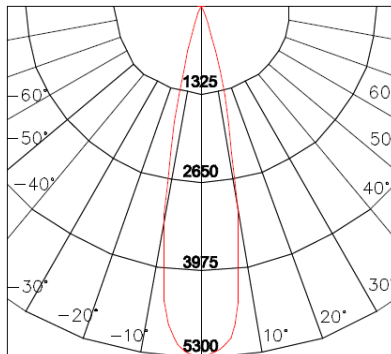


D Distance To Fixture From Wall Or Floor
FC Initial Footcandle Level At Center Of Beam
L Beam Length (where candlepower drops to 50% of maximum)
W Beam Width (where candlepower drops to 50% of maximum)

75W AR111 (8 DEG)			
0° Aiming Angle			
D(ft)	FC	W	L
6	833	0.8	0.8
9	370	1.3	1.3
12	208	1.7	1.7
15	133	2.1	2.1
45° Aiming Angle			
D(ft)	FC	W	L
6	295	1.7	1.2
9	131	2.5	1.8
12	74	3.4	2.4
15	47	4.2	3.0



75W AR111 (24 DEG)			
0° Aiming Angle			
D(ft)	FC	W	L
6	147	2.6	2.6
9	65	3.8	3.8
12	37	5.1	5.1
15	24	6.4	6.4
45° Aiming Angle			
D(ft)	FC	W	L
6	52	5.3	3.6
9	23	8.0	5.4
12	13	10.7	7.2
15	8	13.4	9.0



75W AR111 (45DEG)			
0° Aiming Angle			
D(ft)	FC	W	L
6	53	5.0	5.0
9	23	7.5	7.5
12	13	9.9	9.9
15	8	12.4	12.4
45° Aiming Angle			
D(ft)	FC	W	L
6	19	12.0	7.0
9	8	18.0	10.5
12	5	24.0	14.1
15	3	30.0	17.6

