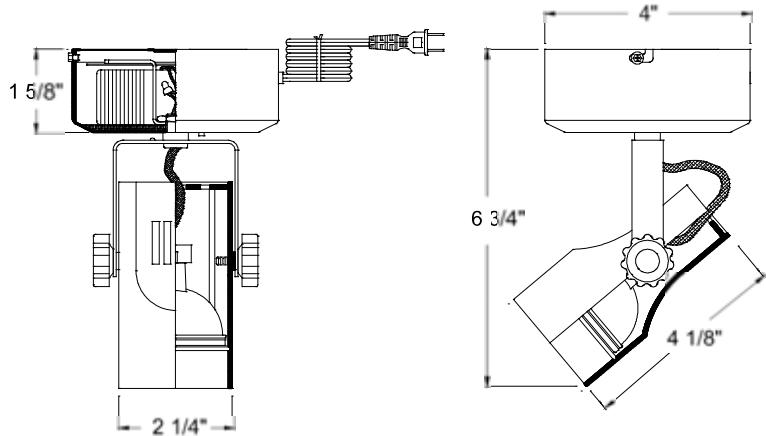


CATALOG NUMBER	TYPE
PROJECT	

LOW VOLTAGE SURFACE MOUNT

MODEL LP-007



Ordering Matrix

Model	Series	Finish
[]	[]	[]
LP	007 007P	BK WT BN

Ordering Example (model number – series – finish): LP-007-BN

Product Details

Description: Surface mount single track head with canopy and integral magnetic transformer. May be surface mounted to walls and ceilings. Base covers a standard junction box.

Materials: Die-cast aluminum fixture with bi-pin ceramic socket and 18 gauge teflon insulated wires, with fiberglass sleeves. Supplied with tempered clear glass lens.
Portable model (LP-007P) comes with a 9' cord, plug and switch.

Transformer: Magnetic transformer, 120v to 12v.
Dim with magnetic low voltage dimmer.

Aiming: 350° horizontal rotation and 90° vertical aiming.
Two aiming screws (one on each side of fixture) allow for locking fixture aiming angle.

Lamping: Re-lamps from the front using MR16 lamps, 50W maximum.

Finish: Abrasion resistant powder coat paint finish. Available in Black (BK), White (WT), Brushed Nickel (BN).

Listing: UL & CUL Listed.

Accessories: Accepts a single lens accessory in place of the supplied tempered clear glass lens.
Accepts the W.A.C. Framing Projector add-on, 008FP.
Compatible accessories are ordered separately.

Specification Features

- Fixtures available with 6", 12", 18", 24", 36", 48", 72" and 96" extensions (factory assembled in BK, WT, or BN). Specify fixture style and finish when ordering (i.e.: LP-007-BK-X18). Extended fixtures are available only as a complete unit from the factory.
- Special lens types such as spread lenses and UV lenses can be ordered from W.A.C. and used in place of the supplied clear lens.
- LP-007P is a portable unit that can be used as a free standing lighting fixture or mounted on a wall or ceiling. Ideally suited for illuminating displays in situations where the light source will need to be moved frequently.
- 5 year WAC Lighting product warranty.