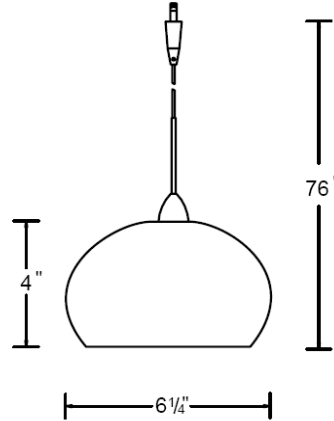


CATALOG NUMBER	TYPE
PROJECT	

KALEIDOSCOPE COLLECTION

QUICK CONNECT™ pendants- KOMAL



Ordering Matrix		
Model	Glass	Socket Set Finish
[]	[]	[]
QP593	RD-Red	BN – Brushed Nickel CH – Chrome DB – Dark Bronze

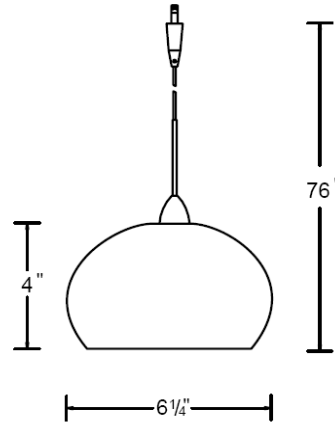
Example (Model-Glass/Socket Set Finish) : QP593-RD/BN

Product Details		Specification Features
Description:	Complete set includes hand blown glass shade, socket set and lamp for use with all WAC QUICK CONNECT™ systems. May also be compatible with other manufacturers quick connect systems. Consult WAC for system compatibility information.	<ul style="list-style-type: none"> ● QP593 requires proper QUICK CONNECT™ adapter to use with WAC's low voltage rail and track systems (DUORAIL™, SOLORAIL™ and Linear track), line voltage track systems, (FLEXRAIL1™ and 120v track) and monopoint and multipoint canopies. ● Complete set should include glass shade (G593), socket set and lamp ● 6' long socket set cable, field cuttable ● Socket set finishes include Brushed Nickel (BN), Chrome (CH)& Dark Bronze (DB) ● 5 year product warranty.
Materials:	QP593-RD/BN consists of three parts: (1) G593-RD Red art glass Shade (1) QP-501-BN Pendant Socket Set (1) JC-50 Halogen Bi-Pin lamp (included)	
Socket:	Include 6' of braided cable and hang-straight tube.	
Shade:	The rounded earthy shapes of the Komal or "miracle" glass add an ethereal and delicate touch to any setting. The soft tones call upon colors of the sunrise and ocean to weave together a mix of the natural elements. The glass shade measures as follows: 4" H x 6 1/4" Ø	
Wattage:	12v 50w max.	
Finish:	RD/BN - Red pendant and Brushed Nickel socket RD/CH - Red pendant and Chrome socket RD/DB - Red pendant and Dark Bronze socket	
Listing:	UL & CUL Listed.	

CATALOG NUMBER	TYPE
PROJECT	

KALEIDOSCOPE COLLECTION

QUICK CONNECT™ pendants- KOMAL



Ordering Matrix		
Model	Glass	Socket Set Finish
QP593	TQ-Turquoise	BN – Brushed Nickel CH – Chrome DB – Dark Bronze

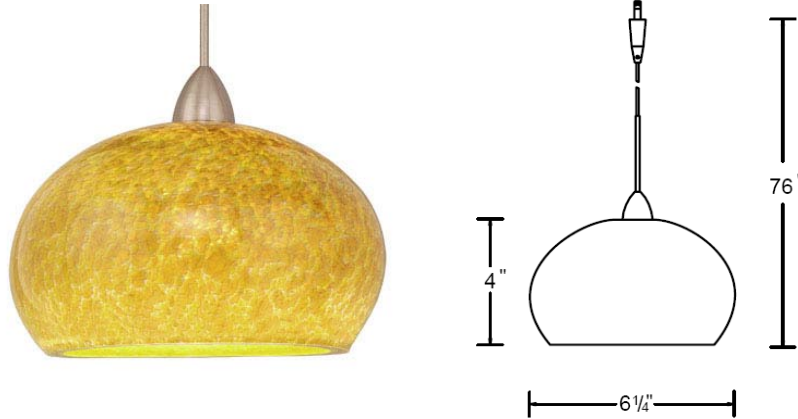
Example (Model-Glass/Socket Set Finish) : QP593-TQ/BN

Product Details	Specification Features
<p>Description: Complete set includes hand blown glass shade, socket set and lamp for use with all WAC QUICK CONNECT™ systems. May also be compatible with other manufacturers quick connect systems. Consult WAC for system compatibility information.</p> <p>Materials: QP593-TQ/BN consists of three parts: (1) G593-TQ Turquoise art glass shade (1) QP-501-BN Pendant socket set (1) JC-50 Halogen Bi-Pin lamp (included)</p> <p>Socket: Include 6' of braided cable and hang-straight tube.</p> <p>Shade: The rounded earthly shapes of the Komal or "miracle" glass add an ethereal and delicate touch to any setting. The soft tones call upon colors of the sunrise and ocean to weave together a mix of the natural elements. The glass shade measures as follows: 4" H x 6 1/4" Ø</p> <p>Wattage: 12v 50w max.</p> <p>Finish: TQ/BN - Turquoise pendant and Brushed Nickel socket TQ/CH - Turquoise pendant and Chrome socket TQ/DB - Turquoise pendant and Dark Bronze socket</p> <p>Listing: UL & CUL Listed.</p>	<ul style="list-style-type: none"> ● QP593 requires proper QUICK CONNECT™ adapter to use with WAC's low voltage rail and track systems (DUORAIL™, SOLORAIL™ and Linear track), line voltage track systems, (FLEXRAIL1™ and 120v track) and monopoint and multipoint canopies. ● Complete set should include glass shade (G593), socket set and lamp ● 6' long socket set cable, field cuttable ● Socket set finishes include Brushed Nickel (BN), Chrome (CH)& Dark Bronze (DB) ● 5 year product warranty.

CATALOG NUMBER	TYPE
PROJECT	

KALEIDOSCOPE COLLECTION

QUICK CONNECT™ pendants- KOMAL



Ordering Matrix		
Model	Glass	Socket Set Finish
[]	[]	[]
QP593	LI-Lime	BN – Brushed Nickel CH – Chrome DB – Dark Bronze

Example (Model-Glass/Socket Set Finish) : QP593-LI/BN

Product Details		Specification Features
Description:	Complete set includes hand blown glass shade, socket set and lamp for use with all WAC QUICK CONNECT™ systems. May also be compatible with other manufacturers quick connect systems. Consult WAC for system compatibility information.	<ul style="list-style-type: none"> ● QP593 requires proper QUICK CONNECT™ adapter to use with WAC's low voltage rail and track systems (DUORAIL™, SOLORAIL™ and Linear track), line voltage track systems, (FLEXRAIL1™ and 120v track) and monopoint and multipoint canopies. ● Complete set should include glass shade (G593), socket set and lamp ● 6' long socket set cable, field cuttable ● Socket set finishes include Brushed Nickel (BN), Chrome (CH)& Dark Bronze (DB) ● 5 year product warranty.
Materials:	QP593-LI/BN consists of three parts: (1) G593-LI Lime art glass shade (1) QP-501-BN Pendant socket set (1) JC-50 Halogen Bi-Pin lamp (included)	
Socket:	Include 6' of braided cable and hang-straight tube.	
Shade:	The rounded earthy shapes of the Komal or "miracle" glass add an ethereal and delicate touch to any setting. The soft tones call upon colors of the sunrise and ocean to weave together a mix of the natural elements. The glass shade measures as follows: 4" H x 6 1/4" Ø	
Wattage:	12v 50w max.	
Finish:	LI/BN - Lime pendant and Brushed Nickel socket LI/CH - Lime pendant and Chrome socket LI/DB - Lime pendant and Dark Bronze socket	
Listing:	UL & CUL Listed.	