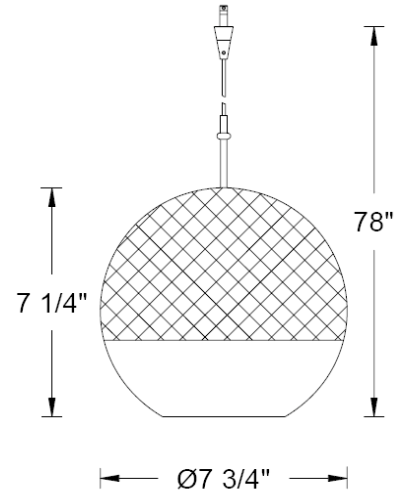


<b>CATALOG NUMBER</b>	<b>TYPE</b>
<b>PROJECT</b>	

**INFINITY QUICK CONNECT™ pendant G964MR**



Ordering Matrix		
Model	Glass	Socket Set Finish
QP MP-	964MR	BN – Brushed Nickel CH – Chrome DB – Dark Bronze

Example (Model-Glass/Socket Set Finish) : QP964MR/CH

Product Details		Specification Features	
<b>Description:</b>	Glass sphere in semi-transparent mirror finish and clear trim.	<ul style="list-style-type: none"> <li>The QUICK CONNECT™ pendant requires a QUICK CONNECT™ adapter to use with WAC's low voltage rail and track systems (DUORAIL™, SOLORAIL™ and Linear track), line voltage track systems, (FLEXRAIL1™, FLEXRAIL2™ and 120v track ) and mono-point and multipoint canopies.</li> <li>5 year product warranty.</li> </ul>	
<b>Materials:</b>	QP964-MR QUICK CONNECT™ pendant includes (1) G964-MR Mirror glass shade (1) QP-902 Pendant socket set (1) BP-50 Xenon Bi-pin lamp  MP-964-MR Mono-point pendant includes: (1) G964-MR Amber art glass shade (1) 902 Pendant socket set (1) MP-60E Mono-point canopy (1) BP-50 Xenon Bi-pin lamp		
<b>Socket:</b>	Include 6' of braided cable and hang-straight tube.		
<b>Wattage:</b>	12v 50w max.		
<b>Listing:</b>	UL & CUL Listed.		