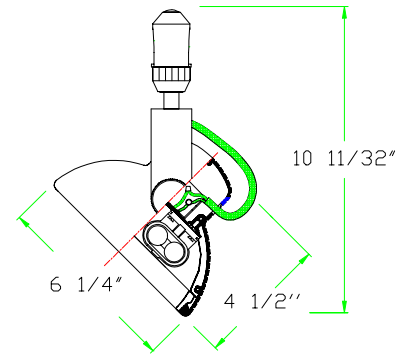
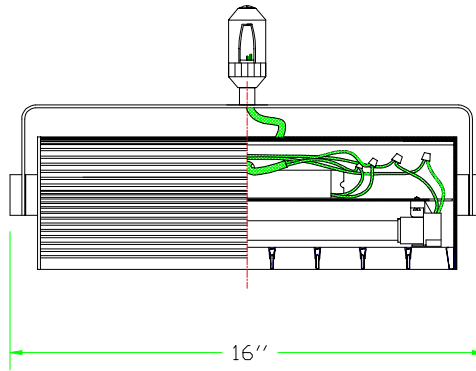
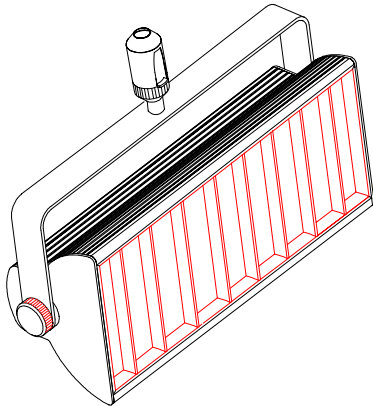


# SPECIFICATION SHEET

## FLEXRAIL2

## MODELS HM-W227



HM

Flexrail2 parts prefix

W227

Number of series

PT

Platinum finish

### Product Features

**Application:** Wall wash 120V compact fluorescent fixture head for use on Flexrail2. Available in Platinum finish only. Employs two 27W\* lamps, with built in electronic ballast. Fixture is not supplied with a louver.

**Lamp:** Houses two compact fluorescent Biax® lamps, not supplied.

**Aiming:** Permits 180° Vertical and 354° rotational aiming.

**Ballast:** High power factor electronic.

**Socket:** 2G11 four pin base.

\* Watts and engineering data based on GE Biax® lamps.

### Engineering Data

Input Voltage	120V 50/60 Hz
Operating Input Power (W)	52W
Input Current (A)	0.47 Amp
Power Factor	0.92
Protection: Open Lamp / Shorted Lamp	Yes
Ballast Min. Starting Temp.	-20°F
Ballast Factor (%)	89%

### Options/Accessories

Aluminum louvers are available in Black (L227-BK), White (L227-WT), and Specular Clear (L227-CL).

### Compact Fluorescent Brand Name Cross-Reference

GE	GE	GE
Biax®	Biax®	Biax®
F27/24BX	F27/24BX	F27/24BX
	Base style 2G11	

### Material

Extruded aluminum housing with specular aluminum reflector, and steel yoke.

### Listings

UL, CUL Listed

W.A.C. reserves the right to change details that do not affect overall function and performance.

