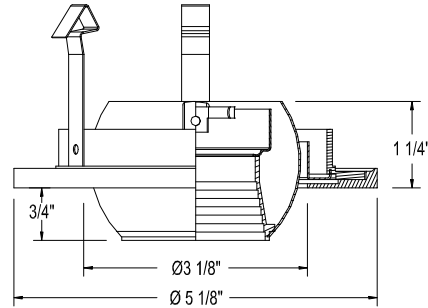


CATALOG NUMBER	TYPE
PROJECT	

4" PREMIUM LOW VOLTAGE DOWNLIGHT TRIM

HR-D414



Ordering Matrix

Series	Model Number	Finish (Baffle / Trim)
HR	D414	BK/WT

Ordering Example (series – model number – finish): HR-D414-BK/WT

Product Details

Description: Eyeball style trim with interior baffle. Provides easy aiming control from below the ceiling. For use with HR-8400 low voltage downlights.

Materials: Durable die-cast aluminum construction. Three heavy gauge retention clips firmly hold trim to housing.

Aiming: Center lamp holder allows the lamp to be tilted to 30° from nadir.

Lamping: Utilizes 12 volt MR16 lamps. Ordered Separately. 50w or 75w maximum, see individual housing for wattage rating. Trim supplied with clear tempered glass lens cover for lamp.

Finish: Abrasion resistant powder coat painted or plated metal finish. Baffle is available in Black (BK) or White (WT). Trim is available in White (WT).

Listing: UL & CUL Listed. Suitable for damp locations.

Specification Features

- Recessed alternative to surface mounted track lights.
- The supplied clear glass lens can be replaced with one lens accessory such as a colored dichroic lens, UV filter lens, frosted lens, etc. See catalog or website for full lens accessory selection.
- Handles surfaces up to 3/4".
- 5 year WAC Lighting product warranty.

Compatible Housings (sold separately):

<p>HR-8401E</p> <p>Non IC Remodeling 12 Volt Electronic Lamp: MR16 50W Max</p>		<p>HR-8401H & HF</p> <p>Non IC Remodeling 12 volt Magnetic Lamp: MR16 50W Max</p>		<p>HR-8402E</p> <p>Non IC New Construction 12 Volt Electronic Lamp: MR16 50W Max</p>	
<p>HR-8402H & HF</p> <p>Non IC New Construction 12 Volt Magnetic Lamp: MR16 50W Max</p>		<p>HR-8402HL & HFL</p> <p>Non IC New Construction 12 Volt Magnetic Lamp: MR16 75W Max</p>		<p>HR-8403H & HF</p> <p>IC Rated. Air tight ready. New Construction 12 Volt Magnetic Lamp: MR16 50W Max</p>	