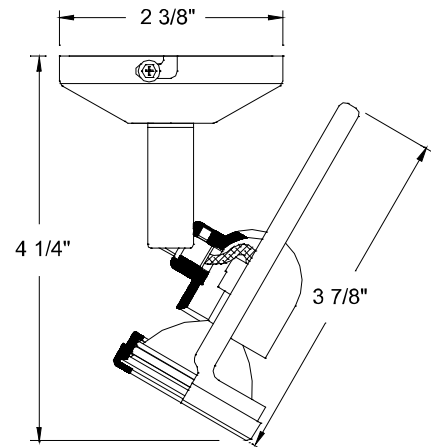
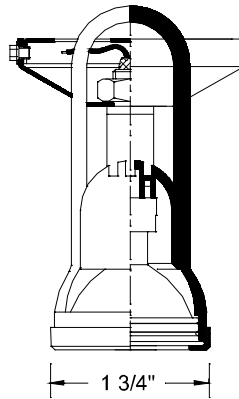


CATALOG NUMBER	TYPE
PROJECT	

LOW VOLTAGE SURFACE MOUNT

MODEL MI-1126



Ordering Matrix

Model	Series	Finish
MI	1126	BK WT

Ordering Example (model number – series – finish): MI-1126-BK

Product Details

Description:	Surface mount single track luminaire with canopy. May be surface mounted to walls and ceilings.
Materials:	Die-cast aluminum fixture with bi-pin ceramic socket and 18 gauge teflon insulated wires, with fiberglass sleeves. Supplied with tempered clear glass lens.
Transformer:	Not supplied, requires a remote transformer.
Aiming:	350° horizontal rotation and 90° vertical aiming.
Lamping:	Re-lamps from the front using MR11 lamps, 35W maximum.
Finish:	Abrasion resistant powder coat paint finish. Available in Black (BK), White (WT)
Listing:	UL & CUL Listed.
Accessories:	Accepts a single lens accessory in place of the supplied tempered clear glass lens. Compatible accessories are ordered separately.

Specification Features

- Fixtures available with 6", 12", 18", 24", 36", 48", 72" and 96" extensions (factory assembled in BK, WT, or BN). Specify fixture style and finish when ordering (i.e.: X72-MI-1126-BK). Extended fixtures are available only as a complete unit from the factory.
- Special lens types such as spread lenses and UV lenses can be ordered from WAC and used in place of the supplied clear lens.
- Electronic transformer soft start feature is designed to protect lamps from abrupt inrush current. The solid state circuitry promotes cool and quiet operation.
- 5 year WAC Lighting product warranty.