

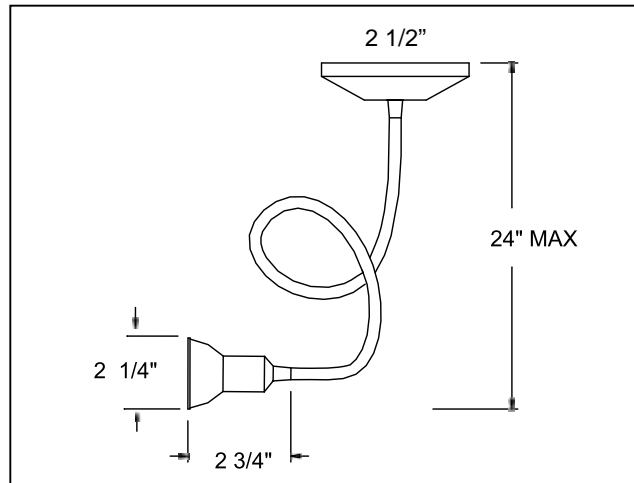
<b>CATALOG NUMBER</b>	<b>TYPE</b>
<b>PROJECT</b>	

**LOW VOLTAGE DISPLAY LIGHTING**

**MODEL MI-204**



Shown with MR16 lamp and SBS-16 optional solid bulb shield



**Ordering Matrix**

Model	Series	Finish
[ ]	[ ]	[ ]
MI	204	BK    WT    BN

Ordering Example (model number – series – finish) : MI-204-WT

**Product Details**

**Description:** May be surface mounted to walls and ceilings. Remote transformer required.

**Materials:** Fixture head and canopy are steel. Flexible arm is steel.

**Aiming:** Flexible arm permits multiple aiming angles.

**Lamping:** MR11 or MR16

**Finish:** BK = Black  
WT = White  
BN = Brushed Nickel

**Accessories:** Color lenses, UV lens, spread lens, beam elongating lens, used in conjunction with LENS-16-CLIP.  
Solid bulb shield (SBS-11, 16), mesh bulb shield. (MBS-11, 16)

**Listing:** U.L. & C.U.L. listed.

**Specification Features**

- Fixture also available as a track luminaire (see Line Volt Track Luminaire section)
- Re-lamps from the front.
- 5 year WAC Lighting product warranty.