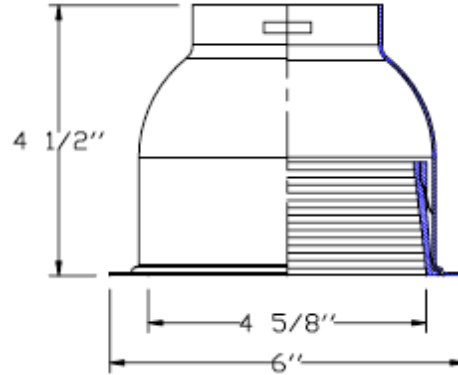


<b>CATALOG NUMBER</b>	<b>TYPE</b>
<b>PROJECT</b>	

**5" PREMIUM DOWNLIGHT TRIM** **R5VT-25**



Ordering Matrix		
Series	Model Number	Finish
[ ]	[ ]	[ ]
R5VT	25	WT


Ordering Example (series – model number – finish): R5VT-25-WT

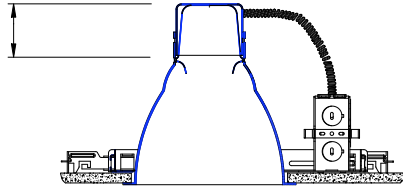
Product Details	Specification Features
<p><b>Application:</b> Ceiling down light trim, 1-inch maximum ceiling thickness. Provides smooth broad area illumination without shadows. Used with incandescent or fluorescent lamp housings.</p> <p><b>Materials:</b> One-piece spun aluminum construction. Integral trim ring is painted white, interior reflector is anodized aluminum. Trim is retained to socket via spring clips.</p> <p><b>Finish:</b> WT = White baffle with White trim</p> <p><b>Ratings:</b> UL &amp; CUL listed.</p>	<ul style="list-style-type: none"> <li>• Suitable for damp locations</li> <li>• 5 year WAC Lighting product warranty.</li> </ul>

Compatible Housings (sold separately)					
<p><b>R5VI-ICA</b> Insulation Contact &amp; Air Tight New Construction Incandescent Lamp: PAR30 50W</p>		<p><b>R5VI-R-ICA</b> Insulation Contact &amp; Air Tight Remodeling Incandescent Lamp: PAR30 50W</p>		<p><b>R5VI</b> Non IC Frame-in Style New Construction Incandescent Lamp: A19 60W PAR30 75W</p>	
<p><b>R5VI-S-ICA</b> Insulation Contact &amp; Air Tight Shallow New Construction Incandescent Lamp: PAR30 50W</p>		<p><b>R5VI-S-R-ICA</b> Insulation Contact &amp; Air Tight Shallow Remodeling Incandescent Lamp: PAR30 50W</p>		<p><b>R5VF-113Q</b> Non IC Frame-in Style New Construction Fluorescent Lamp: Quad 13W G24Q-1</p>	

<b>CATALOG NUMBER</b>	<b>TYPE</b>
<b>PROJECT</b>	

**5" PREMIUM DOWNLIGHT TRIM** **R5VT-25**

<p><b>R5VF-126/32T</b> Non IC Frame-in Style New Construction Incandescent <b>Lamp:</b> Tri-tube 26/32W GX24Q-3</p>	
---	---



Socket cup adds a maximum of 2 1/8" to the height of the trim when used with frame in kits.