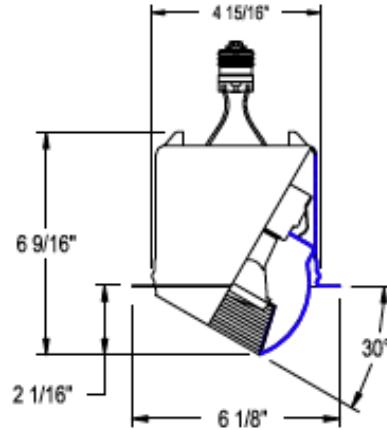


<b>CATALOG NUMBER</b>	<b>TYPE</b>
<b>PROJECT</b>	

**5" PREMIUM DOWNLIGHT TRIM R5VT-37**



Ordering Matrix			
Series	Model Number	Finish	
<input type="text"/>	<input type="text"/>	<input type="text"/>	
R5VT	37	BK	WT

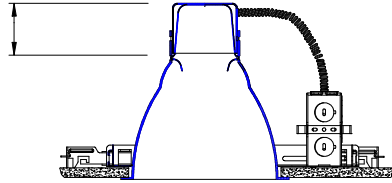
Ordering Example (series – model number – finish): R5VT-37-WT

Product Details	Specification Features
<p><b>Application:</b> Adjustable down light trim, provides 355 rotation and pivots 35. Provides controlled area illumination. For use with insulation contact or frame-in style housing, 1- inch maximum ceiling thickness.</p> <p><b>Materials:</b> Spun aluminum construction. Integral trim ring is painted white. Baffle is painted aluminum.</p> <p><b>Finish:</b> BK = Black baffle with White trim WT = White baffle with White trim</p> <p><b>Ratings:</b> UL &amp; CUL listed.</p>	<ul style="list-style-type: none"> <li>Suitable for damp locations</li> <li>5 year WAC Lighting product warranty.</li> </ul>

Compatible Housings (sold separately)					
<p><b>R5VI-ICA</b> Insulation Contact &amp; Air Tight New Construction Incandescent Lamp: PAR20 50W</p>		<p><b>R5VI-R-ICA</b> Insulation Contact &amp; Air Tight Remodeling Incandescent Lamp: PAR20 50W</p>		<p><b>R5VI</b> Non IC Frame-in Style New Construction Incandescent Lamp: PAR20 50W</p>	

<b>CATALOG NUMBER</b>	<b>TYPE</b>
<b>PROJECT</b>	

**5" PREMIUM DOWNLIGHT TRIM** **R5VT-37**



Socket cup adds a maximum of 2 1/8" to the height of the trim when used with frame in kits.