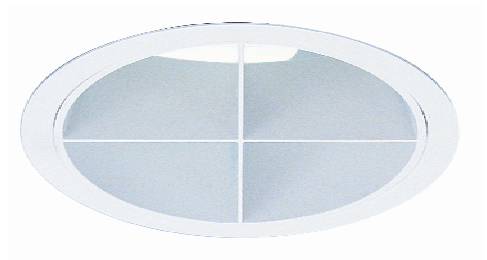
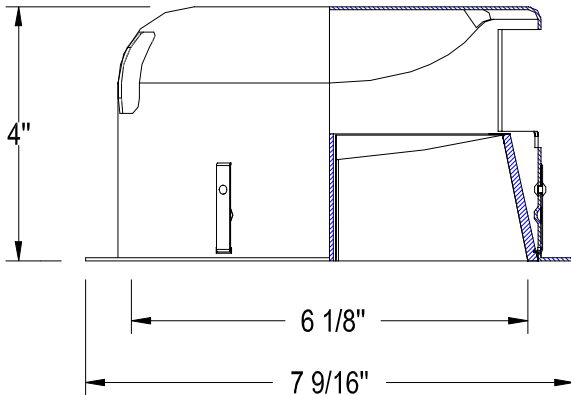


**CROSS BLADE**

**MODEL R6HT-23**



**Recessed 6" Horizontal Trim**  
**Ordering information**

|                                 |   |             |   |            |
|---------------------------------|---|-------------|---|------------|
| R6HT                            | - | 23          | - |            |
| Series                          |   | Trim Number |   | Finish     |
| <b>R6HT</b>                     |   |             |   | WT - White |
| Recessed 6 inch Horizontal Trim |   |             |   |            |

**Compatible Housings**

|  |  |  |  |  |  |
|--|--|--|--|--|--|
| <p><b>R6HF-213Q*</b><br/>Non IC Frame-in Style<br/>New Construction<br/>Fluorescent<br/><b>Lamp:</b> (2) Quad 13W<br/>G24Q-1</p> |  | <p><b>R6HF-218Q*</b><br/>Non IC Frame-in Style<br/>New Construction<br/>Fluorescent<br/><b>Lamp:</b> (2) Quad 18W<br/>G24Q-2</p> |  | <p><b>R6HF-226Q*</b><br/>Non IC Frame-in Style<br/>New Construction<br/>Fluorescent<br/><b>Lamp:</b> (2) Quad 26W<br/>G24Q-3</p> |  |
|--|--|--|--|--|--|

\*Housing available in emergency version. Specify "EM" as suffix.

**Product Features**

**Application:** Low profile ceiling down light trim, 1-inch maximum ceiling thickness. Provides broad area illumination. Used with fluorescent lamp housings.

**Material:** One-piece aluminum construction. Trim ring, interior and cross blades are white painted aluminum. Socket retained to trim spring clips.

**Listing**

UL & CUL listed. Suitable for damp locations.

W.A.C. reserves the right to change details that do not affect overall function and performance.

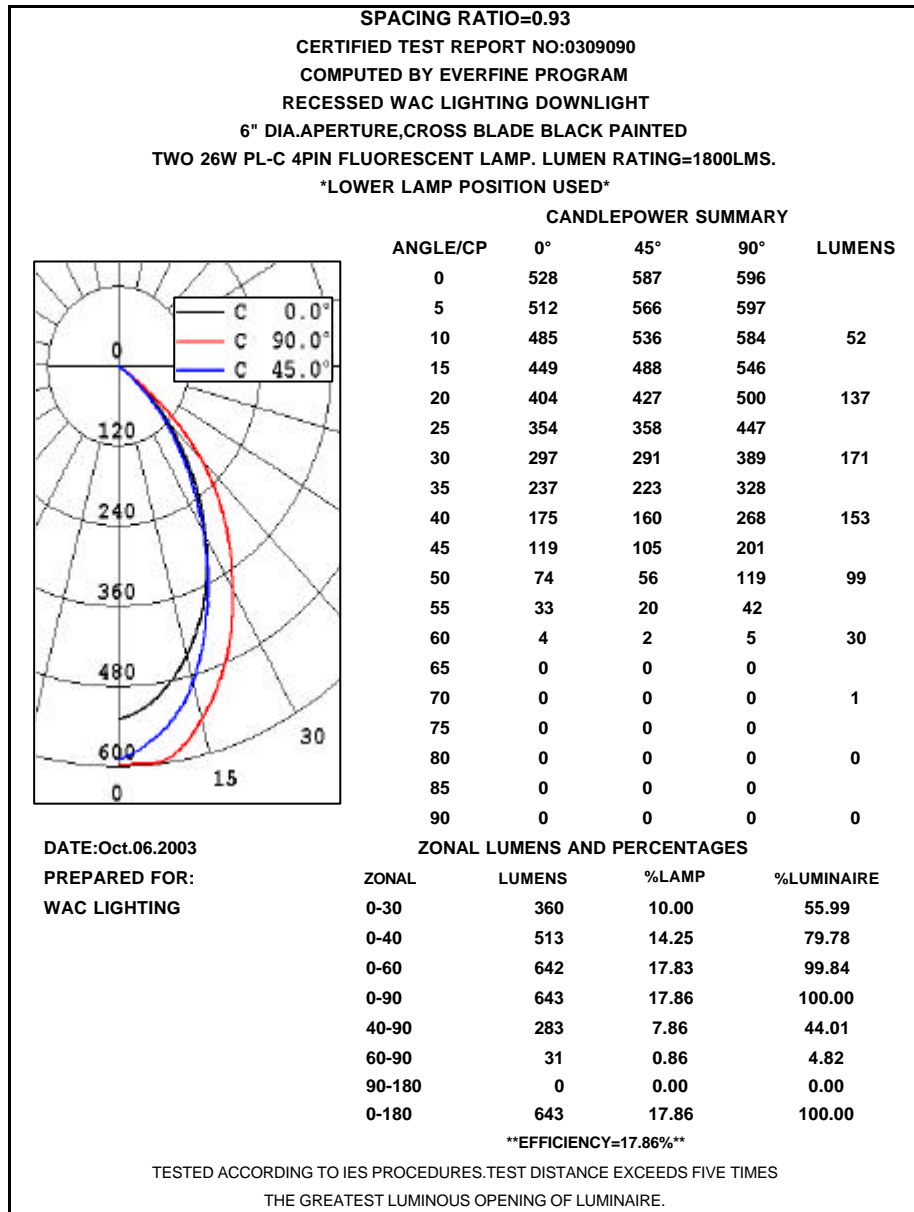


# R6VT-23

WAC Lighting  
Recessed  
Downlight

6" Aperture  
Cross Blade Black Painted  
Reflector Trim

Type:



| Pcc | 80%                         |     |     | 70% |     |     | 50% |     |     | 30% |     |     | 10% |     |     | 0   |
|-----|-----------------------------|-----|-----|-----|-----|-----|-----|-----|-----|-----|-----|-----|-----|-----|-----|-----|
| Pw  | 50%                         | 30% | 10% | 50% | 30% | 10% | 50% | 30% | 10% | 50% | 30% | 10% | 50% | 30% | 10% | 0   |
| Pfc | 20%                         |     |     | 20% |     |     | 20% |     |     | 20% |     |     | 20% |     |     | 0   |
| RCR | Coefficients of Utilization |     |     |     |     |     |     |     |     |     |     |     |     |     |     |     |
| 0   | .21                         | .21 | .21 | .21 | .21 | .21 | .20 | .20 | .20 | .19 | .19 | .19 | .18 | .18 | .18 | .18 |
| 1   | .20                         | .19 | .19 | .19 | .19 | .19 | .19 | .18 | .18 | .18 | .18 | .17 | .17 | .17 | .17 | .16 |
| 2   | .18                         | .17 | .17 | .18 | .17 | .17 | .17 | .17 | .16 | .17 | .16 | .16 | .16 | .16 | .16 | .15 |
| 3   | .17                         | .16 | .15 | .16 | .15 | .15 | .16 | .15 | .15 | .15 | .15 | .15 | .15 | .15 | .14 | .14 |
| 4   | .15                         | .14 | .14 | .15 | .14 | .14 | .15 | .14 | .13 | .14 | .14 | .13 | .14 | .13 | .13 | .13 |
| 5   | .14                         | .13 | .13 | .14 | .13 | .12 | .14 | .13 | .12 | .13 | .13 | .12 | .13 | .12 | .12 | .11 |
| 6   | .13                         | .12 | .12 | .13 | .12 | .11 | .13 | .12 | .11 | .12 | .12 | .11 | .12 | .11 | .11 | .11 |
| 7   | .12                         | .11 | .11 | .12 | .11 | .11 | .12 | .11 | .10 | .12 | .11 | .10 | .11 | .11 | .10 | .10 |
| 8   | .11                         | .10 | .10 | .11 | .10 | .10 | .11 | .10 | .10 | .11 | .10 | .10 | .11 | .10 | .10 | .09 |
| 9   | .11                         | .09 | .09 | .11 | .09 | .09 | .10 | .09 | .09 | .10 | .09 | .09 | .10 | .09 | .09 | .08 |
| 10  | .10                         | .09 | .08 | .10 | .09 | .08 | .10 | .09 | .08 | .10 | .09 | .08 | .09 | .09 | .08 | .08 |