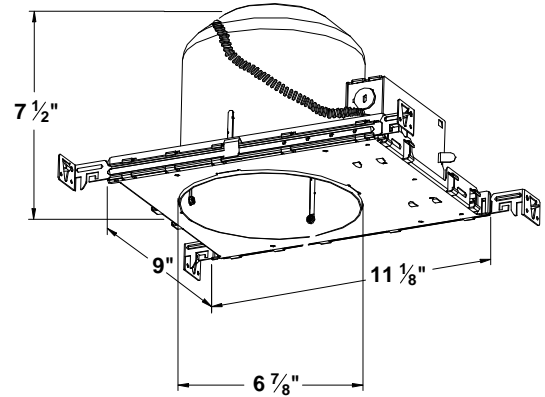


| | |
|-----------------------|-------------|
| CATALOG NUMBER | TYPE |
| PROJECT | |

6" LINE VOLTAGE DOWNLIGHT HOUSING

R6VI-ICA



| Ordering Matrix | | |
|-----------------|------------|-----------------------------------|
| Model | Series | Trim |
| [] | [] | [] |
| R6VI | ICA | <i>see page two for selection</i> |

Ordering Example (*model – series + trim*): R6VI-ICA + trim number

| Product Details | |
|---------------------|---|
| Description: | Line voltage IC-rated new construction downlight. Meets title 24 and WSEC airtight codes when used with the RGK addition. |
| Materials: | Frame and junction box are 20 gauge steel. Can is aluminum. Electrical component is a medium base 250V porcelain socket with nickel-plated copper screw shell. |
| J-Box: | Seven knockouts and four Romex® style wiring connectors provided for ease of installation. Rated for branch wiring. |
| Lamping: | Accepts medium base incandescent lamps, up to 100 watts. Exact wattage and lamp choice dependant on trim selection. Lamps are sold separately. |
| Ratings: | IC rated. Insulation may cover the housing. Airtight rated. The airtight RGK gasketing kit is sold separately. U.L. and C.U.L. listed. Suitable for damp locations. |
| Mounting: | Supplied with hanger bars, with a maximum adjustable length of 24" to accommodate various joist and grid sizes. Hanger bars have nailers for wood joists as well as slots for easy mounting on "T" bars. Accommodates surface thickness of up to 3/4". 6 7/8" cutout hole. |

| Specification Features |
|--|
| <ul style="list-style-type: none"> Housing is IC rated for direct contact with insulation. The housing is fully airtight code compliant when installed in conjunction with the RGK gasketing kit. Junction box is accessible from below the ceiling. Spring loaded door for easy access to wiring. "Quick-Ship" item, in stock at our distribution centers for immediate shipment. Hanger bars slots are located on all four sides of the frame. 5 year W.A.C. Lighting product warranty. |

| | |
|-----------------------|-------------|
| CATALOG NUMBER | TYPE |
| PROJECT | |

6" LINE VOLTAGE DOWNLIGHT HOUSING

R6VI-ICA

Compatible Trims:

| | | | | | |
|---|---|---|--|---|---|
| <p>R6VT-21-□□ Finish: SC</p> <p>Lamping: A19, 100W max. PAR38, 100W max.</p> |  | <p>R6VT-22-□□ Finish: SC</p> <p>Lamping: A19, 75W max. PAR30, 75W max.</p> |  | <p>R6VT-24-□□ Finish: SC</p> <p>Lamping: A19, 100W max. PAR38, 90W max.</p> |  |
| <p>R6VT-26-□□ Finish: WT</p> <p>Lamping: A19, 50W max. PAR38, 75W max.</p> |  | <p>R6VT-27-□□□ Finish: SBK, SC, WT</p> <p>Lamping: A19, 60W max. PAR30, 75W max. PAR38, 75W max.</p> |  | <p>R6VT-29-□□ Finish: BK, WT</p> <p>Lamping: PAR30, 75W max. PAR38, 75W max.</p> |  |
| <p>R6VT-32-□□ Finish: BK, WT</p> <p>Lamping: PAR30, 75W max. PAR38, 75W max.</p> |  | <p>R6VT-33-□□□□ Finish: SA/WT, WT/WT</p> <p>Lamping: PAR30, 50W max.</p> |  | <p>R6VT-34-□□ Finish: WT</p> <p>Lamping: A19, 40W max.</p> |  |
| <p>R6VT-35-□□ Finish: WT</p> <p>Lamping: A19, 40W max.</p> |  | <p>R6VT-58-□□ Finish: BK, WT</p> <p>Lamping: PAR30, 50W max.</p> |  | <p>R6VT-59-□□ Finish: BK, WT</p> <p>Lamping: PAR30, 50W max.</p> |  |
| <p>R6VT-60-S-□□ Finish: SC</p> <p>Lamping: A19, 60W max. PAR30, 75W max.</p> |  | <p>R6VT-61-S-□□ Finish: WT</p> <p>Lamping: A19, 60W max. PAR30, 75W max.</p> |  | <p>R6VT-62-S-□□ Finish: BK, WT</p> <p>Lamping: A19, 60W max. PAR30, 75W max.</p> |  |
| <p>R6VT-63G-S-□□ Finish: WT</p> <p>Lamping: A19, 40W max.</p> |  | <p>R6VT-63P-S-□□ Finish: WT</p> <p>Lamping: A19, 40W max.</p> |  | <p>R6VT-66-S-□□ Finish: WT</p> <p>Lamping: PAR30, 75W max.</p> |  |

Finish Key:

BK = Black, SA = Satin Aluminum, SBK = Specular Black, SC = Specular Clear, WT = White

Notes: The full catalog number for a complete downlight includes the model numbers for both the trim and the housing. Additional information regarding each individual trim can be viewed on the individual trim spec sheets.

Airtight Gasket Kit:

RGK

Gasket kit for use with air tight ready housings. Seals housing to become fully air-tight unit.

