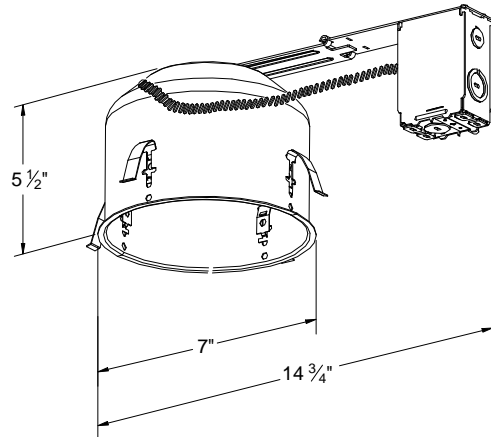


<b>CATALOG NUMBER</b>	<b>TYPE</b>
<b>PROJECT</b>	

**6" LINE VOLTAGE DOWNLIGHT HOUSING**

**R6VI-S-R-ICA**



Ordering Matrix		
Model	Series	Trim
[ ]	[ ]	[ ]
<b>R6VI-S-R</b>	<b>ICA</b>	<i>see page two for selection</i>

Ordering Example (*model – series + trim*): R6VI-S-R-ICA + trim number

Product Details	
<b>Description:</b>	Line voltage IC-rated remodeling downlight for shallow installations. Meets title 24 and WSEC airtight codes when used with the RGK addition.
<b>Materials:</b>	Arm and junction box are 20 gauge steel. Can is aluminum. Electrical component is a medium base 250V porcelain socket with nickel-plated copper screw shell.
<b>J-Box:</b>	Four knockouts and four Romex® style wiring connectors provided for ease of installation. Rated for through branch wiring.
<b>Lamping:</b>	Accepts medium base incandescent lamps, up to 100 watts. Exact wattage and lamp choice dependant on trim selection. Lamps are sold separately.
<b>Ratings:</b>	IC rated. Insulation may cover the housing. Airtight rated. The airtight RGK gasketing kit is sold separately. U.L. and C.U.L. listed. Suitable for damp locations.
<b>Mounting:</b>	Accommodates surface thickness of up to 3/4". 7 1/8" cutout hole. Housing retained to the ceiling with four "fly-out" style pressure spring clips that snap into place.

Specification Features
<ul style="list-style-type: none"> <li>Housing is IC rated for direct contact with insulation. The housing is fully airtight code compliant when installed in conjunction with the RGK gasketing kit.</li> <li>Small sized housing is compact enough to fit in 2x6 joist installations, allowing these to be used in "shallow" applications such as 2-story houses or where attic space is used for storage.</li> <li>"Quick-Ship" item, in stock at our distribution centers for immediate shipment.</li> <li>5 year WAC Lighting product warranty.</li> </ul>

<b>CATALOG NUMBER</b>	<b>TYPE</b>
<b>PROJECT</b>	

**6" LINE VOLTAGE DOWNLIGHT HOUSING**

**R6VI-S-R-ICA**

**Compatible Trims:**

<p><b>R6VT-60-S-□□</b> Finish: SC</p> <p>Lamping: A19, 60W max. PAR30, 75W max.</p>		<p><b>R6VT-61-S-□□</b> Finish: WT</p> <p>Lamping: A19, 60W max. PAR30, 75W max.</p>		<p><b>R6VT-62-S-□□</b> Finish: BK, WT</p> <p>Lamping: A19, 60W max. PAR30, 75W max.</p>	
<p><b>R6VT-63G-S-□□</b> Finish: WT</p> <p>Lamping: A19, 40W max.</p>		<p><b>R6VT-63P-S-□□</b> Finish: WT</p> <p>Lamping: A19, 40W max.</p>		<p><b>R6VT-66-S-□□</b> Finish: WT</p> <p>Lamping: PAR30, 75W max.</p>	

Finish Key:

BK = Black, SA = Satin Aluminum, SBK = Specular Black, SC = Specular Clear, WT = White

Notes: **The full catalog number for a complete downlight includes the model numbers for both the trim and the housing. Additional information regarding each individual trim can be viewed on the individual trim spec sheets.**

**Airtight Gasket Kit:**

**RGK**

Gasket kit for use with air tight ready housings. Seals housing to become fully air-tight unit.

