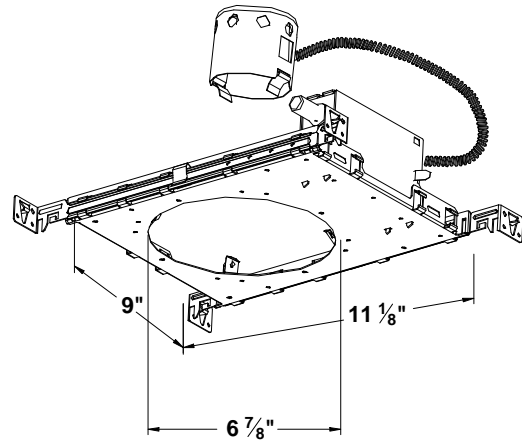


CATALOG NUMBER	TYPE
PROJECT	

6" LINE VOLTAGE DOWNLIGHT HOUSING

R6VI



Ordering Matrix	
Model	Trim
<div style="border: 1px solid black; width: 100px; height: 20px; margin: 0 auto;"></div>	<div style="border: 1px solid black; width: 100px; height: 20px; margin: 0 auto;"></div>
R6VI	<i>see page two for selection</i>

Ordering Example (*model + trim*): R6VI + trim number

Product Details	
Description:	Line voltage Non-IC-rated new construction downlight. Uses full reflector style trims to provide good photometric performance from incandescent lamps. Designed for use in commercial installations where insulation will not be present.
Materials:	Frame and junction box are 20 gauge steel. Electrical component is a socket cup with medium base 250V porcelain socket with nickel-plated copper screw shell. Two tension clips on socket cup hold trim in place.
J-Box:	Seven knockouts and four integral Romex® wiring connectors provided for ease of installation. Rated for branch wiring.
Lamping:	Accepts medium base incandescent lamps, up to 250 watts. Exact wattage and lamp choice dependant on trim selection. Lamps are sold separately.
Ratings:	Non-IC rated. Insulation must be kept at least 3 inches away from the housing. U.L. and C.U.L. listed. Suitable for damp locations.
Mounting:	Supplied with hanger bars, with a maximum adjustable length of 24" to accommodate various joist and grid sizes. Hanger bars have nailers for wood joists as well as slots for easy mounting on "T" bars. Accommodates surface thickness of up to 3/4". 6 7/8" cutout hole.

Specification Features
<ul style="list-style-type: none"> • Frame-In style housing has the widest selection of trims and lamps of any 6" line voltage downlight. • Junction box and socket cup are accessible from below the ceiling. Spring loaded j-box door for easy access to wiring. • "Quick-Ship" item, in stock at our distribution centers for immediate shipment. • Hanger bar slots are located on all four sides of the frame. • 5 year WAC Lighting product warranty.

CATALOG NUMBER	TYPE
PROJECT	

6" LINE VOLTAGE DOWNLIGHT HOUSING

R6VI

Compatible Trims:

<p>R6VT-21-□□ Finish: SC</p> <p>Lamping: A19, 150W max. PAR38, 150W max.</p> 	<p>R6VT-22-□□ Finish: SC</p> <p>Lamping: A19, 100W max. PAR30, 100W max.</p> 	<p>R6VT-23-□□ Finish: SC</p> <p>Lamping: PAR38, 250W max.</p> 
<p>R6VT-24-□□ Finish: SC</p> <p>Lamping: A19, 100W max. PAR38, 150W max.</p> 	<p>R6VT-26-□□ Finish: WT</p> <p>Lamping: A19, 100W max. PAR38, 150W max.</p> 	<p>R6VT-27-□□□ Finish: SBK, SC, WT</p> <p>Lamping: A19, 150W max. PAR30, 75W max. PAR38, 150W max.</p> 
<p>R6VT-29-□□ Finish: BK, WT</p> <p>Lamping: A19, 100W max. PAR30, 75W max. PAR38, 150W max.</p> 	<p>R6VT-32-□□ Finish: BK, WT</p> <p>Lamping: A19, 150W max. PAR38, 150W max.</p> 	<p>R6VT-33-□□□□ Finish: SA/WT, WT/WT</p> <p>Lamping: PAR30, 75W max. A19, 100W max.</p> 
<p>R6VT-34-□□ Finish: WT</p> <p>Lamping: A19, 100W max.</p> 	<p>R6VT-35-□□ Finish: WT</p> <p>Lamping: A19, 90W max.</p> 	<p>R6VT-51-□□ Finish: BK, WT</p> <p>Lamping: PAR38, 90W max.</p> 
<p>R6VT-52-□□ Finish: BK, WT</p> <p>Lamping: PAR38, 150W max..</p> 	<p>R6VT-58-□□□□ Finish: BK, WT</p> <p>Lamping: PAR30, 75W max. A19, 100W max.</p> 	<p>R6VT-59-□□ Finish: BK, WT</p> <p>Lamping: PAR30, 75W max. A19, 100W max.</p> 
<p>R6VT-60-S-□□ Finish: SC</p> <p>Lamping: A19, 60W max. PAR30, 75W max.</p> 	<p>R6VT-61-S-□□ Finish: WT</p> <p>Lamping: A19, 60W max. PAR30, 75W max.</p> 	<p>R6VT-62-S-□□ Finish: BK, WT</p> <p>Lamping: A19, 60W max. PAR30, 75W max.</p> 
<p>R6VT-63-S-□□ Finish: WT</p> <p>Lamping: A19, 60W max.</p> 	<p>R6VT-63-S-□□ Finish: WT</p> <p>Lamping: A19, 60W max.</p> 	<p>R6VT-66-S-□□ Finish: WT</p> <p>Lamping: PAR30, 75W max.</p> 

Finish Key:

BK = Black, SA = Satin Aluminum, SBK = Specular Black, SC = Specular Clear, WT = White

Notes: **The full catalog number for a complete downlight includes the model numbers for both the trim and the housing. Additional information regarding each individual trim can be viewed on the individual trim spec sheets.**