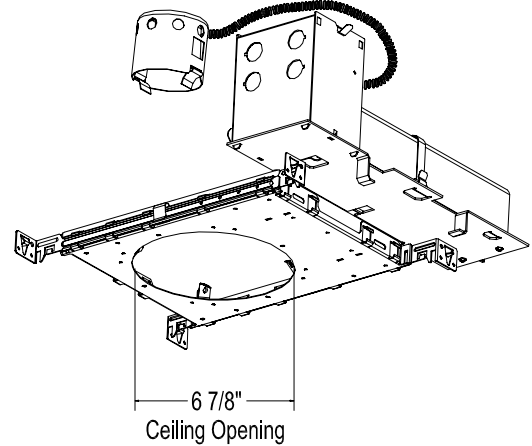


MODEL R6VM-P38E17-M70



Ordering information

R6VM	-	P38E17	-	M	70	
Series		Lamp(s)		Ballast Type	Wattage	Voltage
R6VF Recessed 6 inch Vertical Metal Halide		P38E17 PAR38-MH or ED17P MH		M - Magnetic E - Electronic	70 - 70W 100 - 100W	Blank - 120V F - 277V

Product Features

Application: Metal Halide New construction housing frame in kit. Requires 3" minimum clearance from insulation. Maximum 1 inch ceiling thickness.

J Box: Junction box is accessible from below the ceiling, for inspection or replacement. Box is attached to the ballast. Supplied with eight standard knockouts, and four integral Romex® clamps. Plug-in connectors allow wiring before the housing installation. Rated for through branch wiring.

Mounting: Supplied with hanger bars adjustable to 25". Bars have score lines and can be cut to accommodate 12" joist spans. Bars have notches for easy installation on T-bars. Hanger bars mount on all four sides.

Material: 20 gauge galvanized steel with medium base ceramic/nickel-plated socket, 4KV pulse rated.

Ballast: Magnetic HPF.
ANSI# M98.

Min power factor 90%

Dual voltage taps: 120 /277 Volt.

Operating input current: 120V:0.85A/277V:0.37A

Input power: 94W

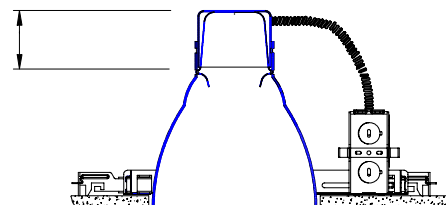
UL Temperature rating: insulation class A (105°C)

Recommended fuse (Amps) 4.

Listing




UL & CUL listed. Suitable for damp locations.

W.A.C. reserves the right to change details that do not affect overall function and performance.



Socket cup adds a maximum of 2 1/8" to the height of the trim when used with frame in kits.

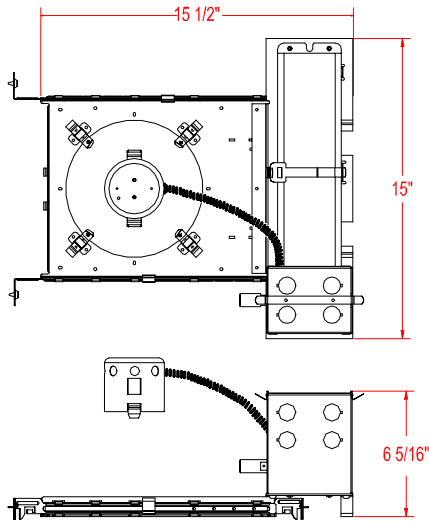


<p>R6VT-21-MH-□□ Finishes: SC, SG Lamp: ED17P MH 70W PAR38 MH 70W</p>		<p>R6VT-27-MH-□□ Finishes: SC Lamp: ED17P MH 70W PAR38 MH 70W</p>		<p>R6VT-29-MH-□□ Finishes: BK, WT Lamp: ED17P MH 70W PAR38 MH 70W</p>	
--	---	--	--	--	---

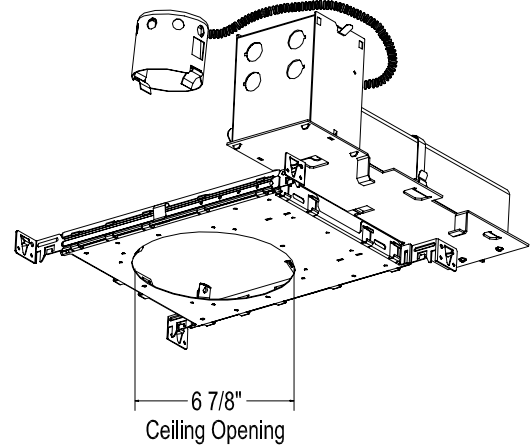
Finish Key: BK-Black, SA-Satin Aluminum, SBK-Specular Black, SC-Specular Clear, SG-Specular Gold, WT-White
 All trims are white, finish choices refer to baffle or reflector color.

*Trim finish is the same as the reflector.





MODEL R6VM-P38E17-M100



Ordering information

R6VM	-	P38E17	-	M	100	
Series		Lamp(s)		Ballast Type	Wattage	Voltage
R6VF Recessed 6 inch Vertical Metal Halide		P38E17 PAR38-MH or ED17P MH		M - Magnetic E - Electronic	70 - 70W 100 - 100W	Blank - 120V F - 277V

Product Features

Application: Metal Halide New construction housing frame in kit. Requires 3" minimum clearance from insulation. Maximum 1 inch ceiling thickness.

J Box: Junction box is accessible from below the ceiling, for inspection or replacement. Box is attached to the ballast. Supplied with eight standard knockouts, and four integral Romex® clamps. Plug-in connectors allow wiring before the housing installation. Rated for through branch wiring.

Mounting: Supplied with hanger bars adjustable to 25". Bars have score lines and can be cut to accommodate 12" joist spans. Bars have notches for easy installation on T-bars. Hanger bars mount on all four sides.

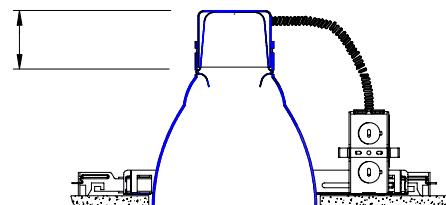
Material: 20 gauge galvanized steel with medium base ceramic/ nickel-plated socket, 4KV pulse rated.

Ballast: Magnetic HPF.
ANSI# M90/M140
Min power factor: 90%
Dual voltage taps: 120 /277 Volt.
Operating input current: 120V:1.10A / 277V:0.48A
Input power: 125W
UL Temperature rating: insulation class A (105°C)
Recommended fuse (Amps) 6.

Listing




UL & CUL listed. Suitable for damp locations.

W.A.C. reserves the right to change details that do not affect overall function and performance.



Socket cup adds a maximum of 2 1/8" to the height of the trim when used with frame in kits.



<p>R6VT-21-MH-□□ Finishes: SC, SG Lamp: ED17P MH 100W PAR38 MH 100W</p>		<p>R6VT-27-MH-□□ Finishes: SC Lamp: ED17P MH 100W PAR38 MH 100W</p>		<p>R6VT-29-MH-□□ Finishes: BK, WT Lamp: ED17P MH 100W PAR38 MH 100W</p>	
--	---	--	--	--	---

Finish Key: BK-Black, SA-Satin Aluminum, SBK-Specular Black, SC-Specular Clear, SG-Specular Gold, WT-White
 All trims are white, finish choices refer to baffle or reflector color.

*Trim finish is the same as the reflector.

