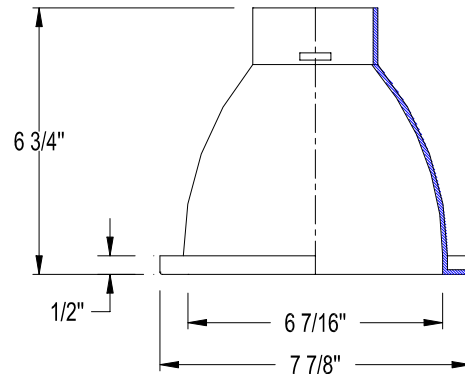


|                       |             |
|-----------------------|-------------|
| <b>CATALOG NUMBER</b> | <b>TYPE</b> |
| <b>PROJECT</b>        |             |

**6" PREMIUM DOWNLIGHT TRIM** **R6VT-24**



| Ordering Matrix |              |        |
|-----------------|--------------|--------|
| Series          | Model Number | Finish |
| R6VT            | 24           | SC     |

Ordering Example (series – model number – finish): R6VT-24-SC

| Product Details  | Specification Features   |
|--|--|
| <p><b>Application:</b> Ceiling down light trim, 1-inch maximum ceiling thickness. Provides smooth broad area illumination without shadows. Used with incandescent or fluorescent lamp housings.</p> <p><b>Materials:</b> One-piece spun aluminum construction. Integral trim ring is painted white, interior reflector is anodized aluminum. Trim is retained to socket via spring clips.</p> <p><b>Finish:</b> SC = Specular Clear baffle with White trim</p> <p><b>Ratings:</b> UL &amp; CUL listed.</p> | <ul style="list-style-type: none"> <li>Suitable for damp locations</li> <li>5 year WAC Lighting product warranty.</li> </ul> |

| Compatible Housings ( sold separately)   |  |  |  |  |  |
|--|--|--|--|--|--|
| <p>R6VI-B-ICA<br/>Insulation Contact &amp; Air Tight<br/>New Construction<br/>Incandescent<br/><b>Lamp:</b> A19 100W<br/>PAR38 90W</p> |  | <p>R6VI-R-ICA<br/>Insulation Contact &amp; Air Tight<br/>Remodeling<br/>Incandescent<br/><b>Lamp:</b> A19 100W<br/>PAR38 90W</p> |  | <p>R6VI-ICA<br/>Insulation Contact &amp; Air Tight<br/>New Construction<br/>Incandescent<br/><b>Lamp:</b> A19 100W<br/>PAR38 90W</p> |  |
| <p>R6VI<br/>Non IC Frame-in Style<br/>New Construction<br/>Incandescent<br/><b>Lamp:</b> PAR38 150W<br/>A19 100W</p>                   |  | <p>Socket cup adds a maximum of 2 1/8" to the height of the trim when used with frame in kits.</p>                               |  |  |  |

\*Housing available in emergency version. Specify "EM" as suffix.