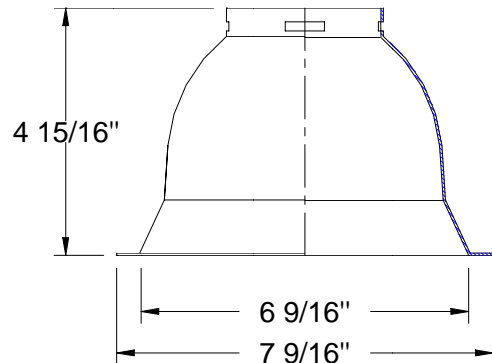


| | |
|-----------------------|-------------|
| CATALOG NUMBER | TYPE |
| PROJECT | |

6" PREMIUM DOWNLIGHT TRIM **R6VT-26**



| Ordering Matrix | | |
|-----------------|--------------|--------|
| Series | Model Number | Finish |
| [] | [] | [] |
| R6VT | 26 | WT |

Ordering Example (series – model number – finish): R6VT-26-WT

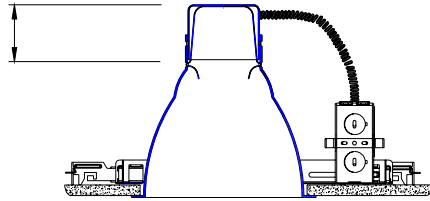
| Product Details | Specification Features |
|--|--|
| <p>Application : Ceiling down light trim, 1-inch maximum ceiling thickness. Provides smooth broad area illumination without shadows. Used with incandescent or fluorescent lamp housings.</p> <p>Materials: One-piece spun aluminum construction. Integral trim ring is painted white, interior reflector is anodized aluminum. Trim is retained to socket via spring clips.</p> <p>Finish: WT = White baffle with White trim</p> <p>Ratings: UL & CUL listed.</p> | <ul style="list-style-type: none"> Suitable for damp locations 5 year WAC Lighting product warranty. |

| Compatible Housings (sold separately) | | | | | |
|--|--|--|--|--|--|
| <p>R6VI-B-ICA Insulation Contact & Air Tight New Construction Incandescent Lamp: A19 60W PAR38 90W</p> | | <p>R6VF-113Q* Non IC Frame-in Style New Construction Fluorescent Lamp: Quad 13W G24Q-1</p> | | <p>R6VF-126/32T* Non IC Frame-in Style New Construction Fluorescent Lamp: Tri-Tube 26/32W GX24Q-3</p> | |
| <p>R6VI Non IC Frame-in Style New Construction Incandescent Lamp: PAR38 150W A19 100W</p> | | <p>R6VI-R-ICA Insulation Contact & Air Tight Remodeling Incandescent Lamp: A19 50W PAR38 75W</p> | | <p>R6VI-ICA Insulation Contact & Air Tight New Construction Incandescent Lamp: A19 50W PAR38 75W</p> | |

*Housing available in emergency version. Specify "EM" as suffix.

| | |
|-----------------------|-------------|
| CATALOG NUMBER | TYPE |
| PROJECT | |

6" PREMIUM DOWNLIGHT TRIM **R6VT-26**



Socket cup adds a maximum of 2 1/8" to the height of the trim when used with frame in kits.