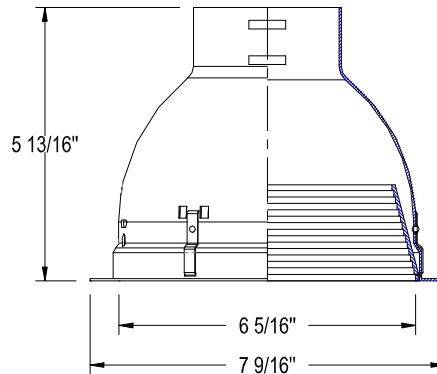


CATALOG NUMBER	TYPE
PROJECT	

6" PREMIUM METAL HALIDE DOWNLIGHT TRIM **R6VT-29MH**



Ordering Matrix		
Series	Model Number	Finish
[]	[]	[]
R6VT	29MH	WT

Ordering Example (series – model number – finish): R6VT-29MH-WT

Product Details	Specification Features
<p>Application: Ceiling down light trim, 1-inch maximum ceiling thickness. Provides smooth broad area illumination without shadows. Used with metal halide lamp housings.</p> <p>Materials: One-piece spun aluminum construction. Integral trim ring is painted white, interior reflector is anodized aluminum. Trim is retained to socket via spring clips.</p> <p>Finish: WT = White baffle with White trim</p> <p>Ratings: UL & CUL listed.</p>	<ul style="list-style-type: none"> • Suitable for damp locations • 5 year WAC Lighting product warranty.

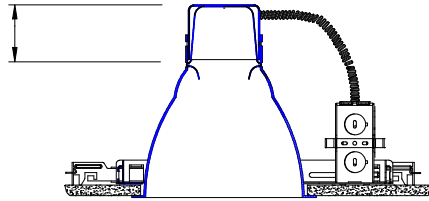
Compatible Housings (sold separately)					
<p>R6VM-P38E17-M70* Non IC New Construction Metal Halide Lamps: PAR38 MH 70W ED17P MH 70W</p>		<p>R6VM-P38E17-M100* Non IC New Construction Metal Halide Lamps: PAR38 MH 100W ED17P MH 100W</p>		<p>R6VM-P38E17-E70* Non IC New Construction Metal Halide Lamps: PAR38 MH 70W ED17P MH 70W</p>	
<p>R6VM-P38E17-E100* Non IC New Construction Metal Halide Lamps: PAR38 MH 100W ED17P MH 100W</p>					

*Also available in 277V model, specify "F" as suffix (ie: R6VM-P38E17-M100F)

CATALOG NUMBER	TYPE
PROJECT	

6" PREMIUM METAL HALIDE DOWNLIGHT TRIM

R6VT-29MH



Socket cup adds a maximum of 2 1/8" to the height of the trim when used with frame in kits.