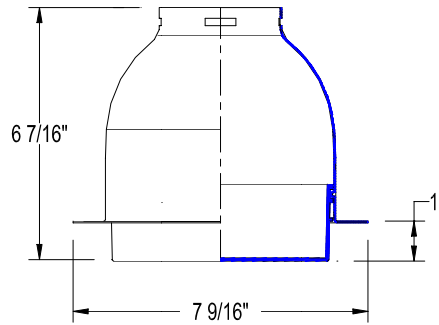


CATALOG NUMBER	TYPE
PROJECT	

6" PREMIUM DOWNLIGHT TRIM **R6VT-35**



Ordering Matrix		
Series	Model Number	Finish
R6VT	35	WT

Ordering Example (series – model number – finish): R6VT-35-WT

Product Details	
Application:	Shower down light trim, with white diffuser lens. 1-inch maximum ceiling thickness. Translucent lens diffuses light for smooth illumination. Used with incandescent or fluorescent lamp housings.
Materials:	One-piece spun aluminum construction. Integral trim ring is painted white, lens bezel is spun aluminum painted matt white, glass lens.
Finish:	WT = White baffle with White trim
Ratings:	UL & CUL listed.

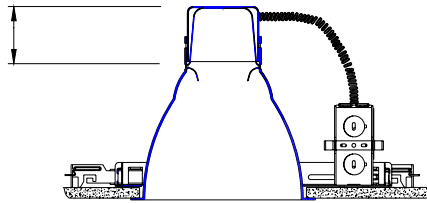
Specification Features
<ul style="list-style-type: none"> Suitable for damp locations 5 year WAC Lighting product warranty.

Compatible Housings (sold separately)					
R6VI-B-ICA Insulation Contact & Air Tight New Construction Incandescent Lamp: A19 60W		R6VF-113Q* Non IC Frame-in Style New Construction Fluorescent Lamp: Quad 13W G24Q-1		R6VF-126/32T* Non IC Frame-in Style New Construction Fluorescent Lamp: Tri-Tube 26/32W GX24Q-3	
R6VI Non IC Frame-in Style New Construction Incandescent Lamp: A19 90W		R6VI-R-ICA Insulation Contact & Air Tight Remodeling Incandescent Lamp: A19 40W		R6VI-ICA Insulation Contact & Air Tight New Construction Incandescent Lamp: A19 40W	

*Housing available in emergency version. Specify "EM" as suffix.

CATALOG NUMBER	TYPE
PROJECT	

6" PREMIUM DOWNLIGHT TRIM **R6VT-35**



Socket cup adds a maximum of 2 1/8" to the height of the trim when used with frame in kits.