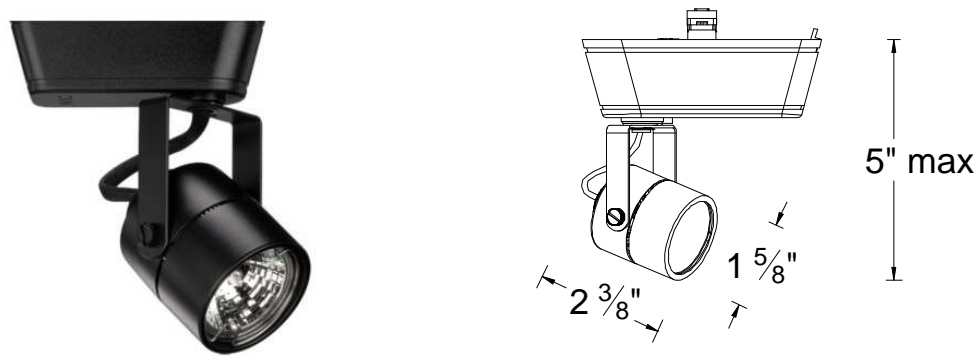


<b>CATALOG NUMBER</b>	<b>TYPE</b>
<b>PROJECT</b>	

**LOW VOLTAGE TRACK HEAD** **SERIES 1109**





Model			Series	Finish	
[ ]			[ ]	[ ]	
HHT	JHT	LHT	1109	BK	WT

Ordering Example (model – series – finish): HHT-1109-BK

Product Details	
<b>Description:</b>	Premier series low voltage track head for use with WAC brand H, L, J & J2 series track systems. In addition it may fit other manufacturer's original track (consult factory for specific brands).
<b>Materials:</b>	Die-cast aluminum track head with polycarbonate transformer case and track adapter. Bi-pin ceramic socket for MR11 lamp. Clear lens.
<b>Aiming:</b>	350° horizontal rotation and 90° vertical aiming. The screw and swivel yoke aiming allows precise adjustment to the desired angle.
<b>Lamp &amp; Transformer:</b>	MR11 lamp, 35w max. Lamp sold separately. Integral electronic transformer for 12 volt MR11 lamps. 120V input. Dimmable with electronic low voltage dimmers.
<b>Systems:</b>	HHT is used with the WAC H system track (HT). JHT is used with the WAC J system and J2 system track (JT & J2-T). LHT is used with the WAL system track (LT).
<b>Finish:</b>	Abrasion resistant finish in Black (BK), White (WT), and electroplated Brushed Nickel.
<b>Listing:</b>	U.L. & C.U.L. listed. 5 year WAC Lighting product warranty.

Specification Features
<ul style="list-style-type: none"> <li>• "Quick-Ship" item, always in stock and available for immediate shipment.</li> <li>• The supplied clear glass lens can be replaced with one lens accessory such as a colored dichroic lens, UV filter lens, frosted lens, etc. See catalog or website for full lens accessory selection.</li> <li>• Low voltage track head extensions are available if longer than standard drops are required. Add X(<i>length</i>) to the front of the ordering code i.e. <b>X24</b>-HHT-1109-BN. Ordered as Black, White, or Brushed Nickel.</li> </ul>

Compatible Accessories	
<p><b>JCLIP</b> Ordered when using track heads on 2<sup>nd</sup> circuit of J2 style track.</p>  <p>Order as JCLIP</p>	<p><b>Low Voltage Extensions</b> Factory installed. Available in 6", 12", 18", 24", 36", 48", 72", 96" lengths.</p>  <p>Order as X(<i>length</i>)</p>