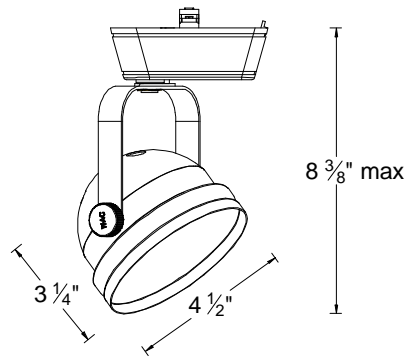


CATALOG NUMBER	TYPE
PROJECT	

LOW VOLTAGE TRACK HEAD **SERIES 901**





Ordering Matrix					
Model			Series	Finish	
[]			[]		[]
HHT	JHT	LHT	901		BK WT

Ordering Example (model – series – finish): HHT-901-WT

Product Details	
Description:	Low voltage track head for use with W.A.C. brand H, L, J & J2 series track systems. In addition it may fit other manufacturer's original track (consult factory for specific brands).
Materials:	Metal track head with polycarbonate transformer case and track adaptor. Two wire leads with u-posts for attaching to PAR36 lamp terminal base.
Aiming:	350° horizontal rotation and 90° vertical aiming. The screw and swivel yoke aiming allows precise adjustment to the desired angle.
Lamp & Transformer:	PAR36 lamp. 50w max. Lamp sold separately. Integral electronic transformer for 12 volt PAR36 lamps. 120V input. Dimmable with electronic low voltage dimmers.
Systems:	HHT is used with the W.A.C. H system track (HT). JHT is used with the W.A.C. J system and J2 system track (JT & J2-T). LHT is used with the W.A.C. L system track (LT).
Finish:	Abrasion resistant paint finish. Black (BK) or White (WT).
Listing:	U.L. & C.U.L. listed. 5 year W.A.C. Lighting product warranty.

Specification Features
<ul style="list-style-type: none"> “Quick-Ship” item, always in stock and available for immediate shipment. Electronic transformer has advanced auto-reset, soft start and short circuit protection features. The soft start delayed lamp start feature extends lamp life by delaying the abrupt inrush current to the lamp. Low voltage track head extensions are available if longer than standard drops are required. Add X(<i>length</i>) to the front of the ordering code i.e. X24-HHT-901-WT. Ordered as Black or White.

Compatible Accessories	
<p>JCLIP Ordered when using track heads on 2nd circuit of J2 style track.</p>  <p>Order as JCLIP</p>	<p>Low Voltage Extension Factory installed. Available in 6", 12", 18", 24", 36", 48", 72", 96" lengths.</p>  <p>Order as X(<i>length</i>)</p>