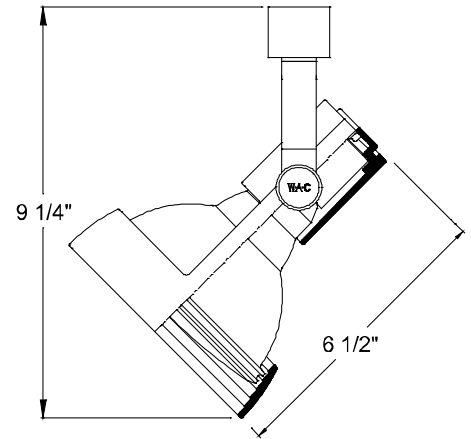
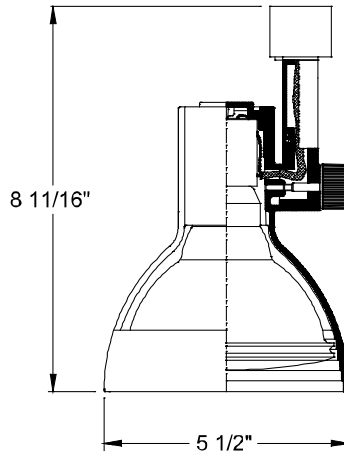


CATALOG NUMBER	TYPE
PROJECT	

LINE VOLTAGE TRACK HEAD

SERIES 755



Ordering Matrix

Model			Series	Finish			
[]			[]	[]			
HTK	JTK	LTK	755	BK	BN/BK	BN/WT	WT

Ordering Example (model – series – finish): HTK-755-BK

Product Details

Description: Line voltage track head using PAR38 lamps. Designed for use with W.A.C. H, L, J & J2 series track. In addition it may fit other manufacturer's original track (consult factory for specific brands).

Materials: Die-cast aluminum track head with die-cast locking knob for aiming and polycarbonate track adaptor. Medium base 250V porcelain socket with nickel-plated copper screw shell.

Aiming: 350° horizontal rotation and 90° vertical aiming. The side locking knob maintains aiming angle and fixture position integrity.

Lamping: Uses medium base PAR38 lamps, 150W max. 120 volt.

Systems: HTK is used with the W.A.C. H system track (HT).
JTK is used with the W.A.C. J system and J2 system track (JT & J2-T).
LTK is used with the W.A.C. L system track (LT)

Finish: Abrasion resistant power coat paint finish. Available in Black (BK), White (WT), Brushed Nickel with Black track adaptor (BN/BK) and Brushed Nickel with White track adaptor (BN/WT).

Listing: UL & CUL Listed. 5 year W.A.C. Lighting product warranty.

Specification Features

- Die-cast aluminum fixture with modern styling of the classic gimbal ring design. Compliments any interior space while providing the utmost in flexibility.
- The 755 series track head utilizes the second circuit on the J2 style track with the use of the JClip (ordered separately).
- Line voltage track head extensions are available for the H system, available in 18", 24", 36" and 48" lengths. Add H18, H24, H36 or H48 to ordering code. Ordered as Black or white.