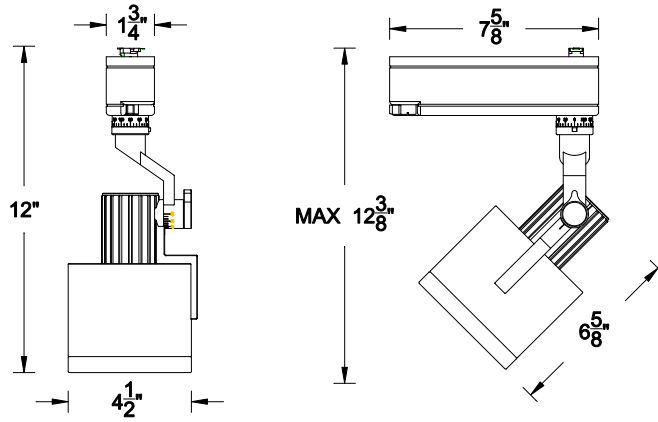


<b>CATALOG NUMBER</b>	<b>TYPE</b>
<b>PROJECT</b>	

**VAMP SPOT - LOW VOLTAGE TRACK HEAD**

**SERIES LED206**



<b>Ordering Matrix</b>		
<b>Model</b>	<b>Beam Spread / Color Temperature</b>	<b>Finish</b>
[ ]	[ ]	[ ]
JHT-LED206	SW =10°,3000K SC =10°,4500K FW =25°,3000K FC =25°,4500K	BK = Black WT = White PT = Platinum

Ordering Example (Model-Beam Spread-Finish) : JHT-LED206SW-WT

<b>Product Details</b>	<b>Specification Features</b>
<p><b>Description:</b> Energy Efficient, low voltage track fixture using 6 X 3W LED lamps provides quality accent lighting. Designed for use on WAC J &amp; J2 tracks. May be used on W2 Two Circuit track with converter</p> <p><b>Materials:</b> Die-cast aluminum fixture. Clear lens included</p> <p><b>Driver:</b> 700mA constant current LED driver</p> <p>Input Voltage: 120V AC (60Hz) Input Current : 0.22A Output Voltage: 21V DC Max. Output Current: 700mA</p> <p><b>Fixture Load:</b> 18W Max</p> <p><b>Aiming:</b> 350° horizontal rotation and 90° vertical aiming</p> <p><b>Lamping:</b> Using 6 X 3W LED lamps</p> <p>Color Temperature: 3000K 4500K Total Light Output: 660lm 780lm</p> <p><b>Finish:</b> Powder coat paint finish. Available in Black (BK), White (WT), Platinum (PT).</p> <p><b>Listing:</b> UL &amp; CUL Listed. Patent Pending.</p>	<ul style="list-style-type: none"> <li>• Die-cast aluminum fixture with degree dial for precise aiming</li> <li>• Push button to aim and lock</li> <li>• Compatible to other manufacturers track system. Consult factory for specific details</li> <li>• LED Junction temperature below 80 degree Celsius</li> <li>• LED lamp life up to 50,000 hours</li> <li>• Integral LED engine to the fixture, no visible heat sink</li> <li>• CRI of 85</li> <li>• 5 year product warranty</li> </ul>

## Track Adaptor Information

**Standard Adaptor**  
For J and J2 style tracks



**Standard Adaptor**  
For J and J2 style tracks



## Converter Information

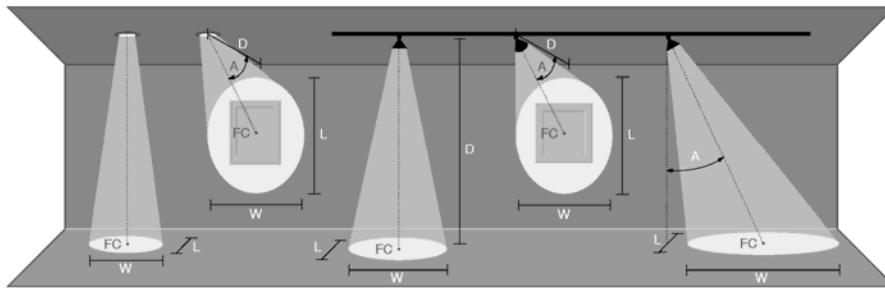
**CV-2T-LV** ordered when using  
on 120V W2 2-circuit track



## Compatible Accessories –USE SIZE 30

• <b>Dichroic Lens</b> LENS-30-DIC-COLOR	• <b>Beam Elongator</b> LENS-30-BEL	• <b>Cross Louver</b> LENS-30-CRL
• <b>UV Filter</b> LENS-30-UV	• <b>Beam Soft /Beam Spread Lens</b> LENS-30-BSL / LENS-30-SPR	• <b>Snoot</b> LENS-30-SNOOT
• <b>IR Filter</b> LENS-30-IR	• <b>Block Screen</b> LENS-303-BS/ LENS-304-BS/ LENS-305-BS	• <b>Honeycomb Louver</b> LENS-30-HCL
• <b>UV- IR Filter</b> LENS-30-UI	• <b>Hood (for wall-washing)</b> HOOD-30-BK	• <b>Barn Door</b> TL-30-BD

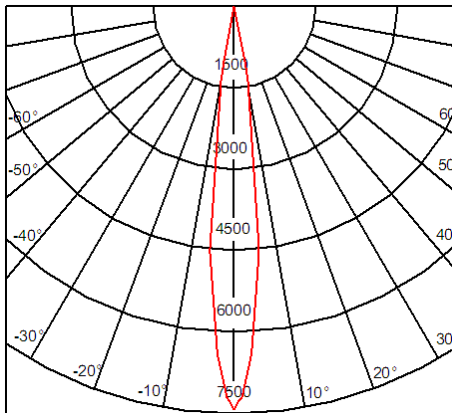
## Photometry



D Distance To Fixture From Wall Or Floor  
FC Initial Footcandle Level At Center Of Beam  
L Beam Length (where candlepower drops to 50% of maximum)  
W Beam Width (where candlepower drops to 50% of maximum)

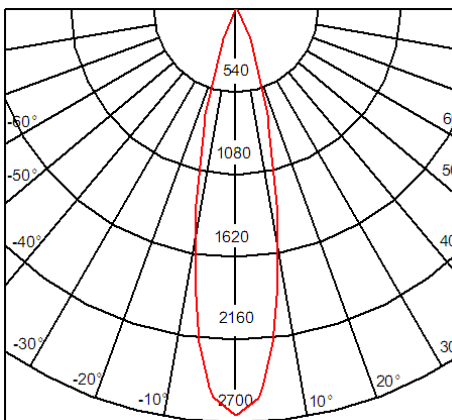
JHT-LED206S (12DEG)			
0° Aiming Angle			
D(ft)	FC	W	L
6	208	1.3	1.3
9	93	1.9	1.9
12	52	2.5	2.5
15	33	3.2	3.2
45° Aiming Angle			
D(ft)	FC	W	L
6	74	2.6	1.8
9	33	3.8	2.7
12	18	5.1	3.6
15	12	6.4	4.5

CBCP =7488, Beam Angle = 12°



JHT-LED206F (25DEG)			
0° Aiming Angle			
D(ft)	FC	W	L
6	74	2.3	2.3
9	33	3.5	3.5
12	18	4.7	4.7
15	12	5.8	5.8
45° Aiming Angle			
D(ft)	FC	W	L
6	26	4.8	3.3
9	12	7.3	4.9
12	7	9.7	6.6
15	4	12.1	8.2

CBCP =2664, Beam Angle = 25°



The above photometric data is for 3000K LED. For 4500K, multiply by 1.2.