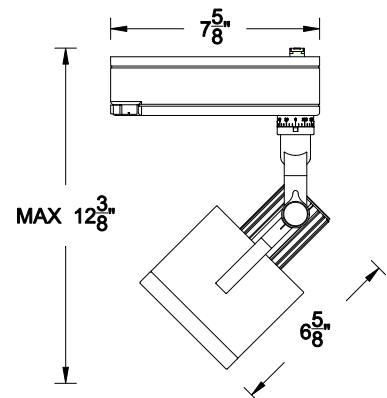
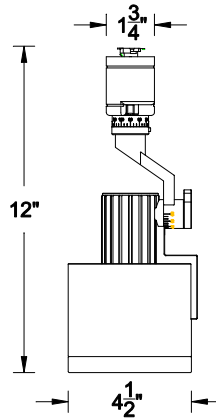


CATALOG NUMBER	TYPE
PROJECT	

VAMP SPOT - LOW VOLTAGE TRACK HEAD

SERIES



Ordering Matrix		
Model	Beam Spread	Finish
[]	[]	[]
JHT-LED210	SW =10°,3000K SC =10°,4500K FW =25°,3000K FC =25°,4500K	BK = Black WT = White PT = Platinum

Ordering Example (Model-Beam Spread-Finish) : JHT-LED206SW-WT

Product Details	
Description:	Energy Efficient, low voltage track head using 10 X 3W LED lamps provides quality accent light for architectural lighting solution. Designed for use on W.A.C. J & J2 tracks. May be used on W2 track with converter. Adaptable to other manufacturer's track. (Consult factory for specific brands).
Materials:	Die-cast aluminum fixture, cap ring and check ring. Clear 1/8 inch tempered glass lens included.
Driver:	700mA constant current LED driver
	Input Voltage: 120V~240V AC (50/60Hz) Input Current : 0.28A Output Voltage: 1~45V DC Output Current: 700mA Load: 30W
Aiming:	350° horizontal rotation and 90° vertical aiming with indexing scales. Spring loaded buttons lock to secure the aiming adjustment on horizontal and vertical axis.
Lamping:	Using 10 X 3W LED lamps Color Temperature: 3000K 4500K Total Light Output: 1100lm 1300lm CRI: 85 85
Finish:	Powder coat paint finish. Available in Black (BK), White (WT), Platinum (PT).
Listing:	UL & CUL Listed. Patent Pending.

Specification Features
<ul style="list-style-type: none"> Die-cast aluminum fixture with integral indexing scales to assure precise directional adjustment. The track head utilizes the second circuit on the J2 style track with the use of the JCLIP. LED Junction temperature below 80 degree Celsius LED lamp life up to 50,000 hours Free of projected heat, IR, and UV Color Temperature Options: WW = 3000K CW = 4500K 5 year product warranty.

Track Adaptor Information

Standard Adaptor
For J and J2 style tracks



Standard Adaptor
For J and J2 style tracks



Converter Information

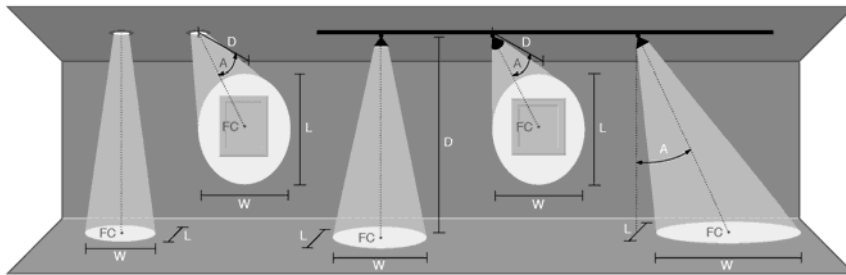
CV-2T-LV ordered when using
on 120V W2 2-circuit track



Compatible Accessories –USE SIZE 30

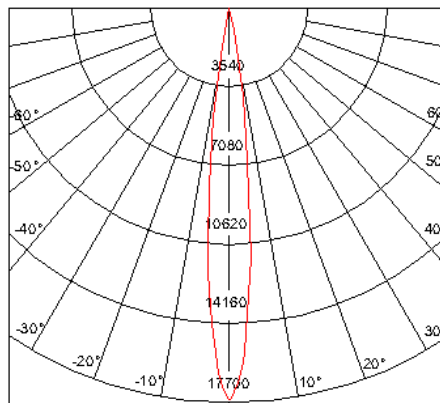
• Dichroic Lens LENS-30-DIC-COLOR	• Beam Elongator LENS-30-BEL	• Cross Louver LENS-30-CRL
• UV Filter LENS-30-UV	• Beam Soft /Beam Spread Lens LENS-30-BSL / LENS-30-SPR	• Snoot LENS-30-SNOOT
• IR Filter LENS-30-IR	• Block Screen LENS-303-BS/ LENS-304-BS/ LENS-305-BS	• Honeycomb Louver LENS-30-HCL
• UV- IR Filter LENS-30-UI	• Hood (for wall-washing) HOOD-30-BK	• Barn Door TL-30-BD

Photometry

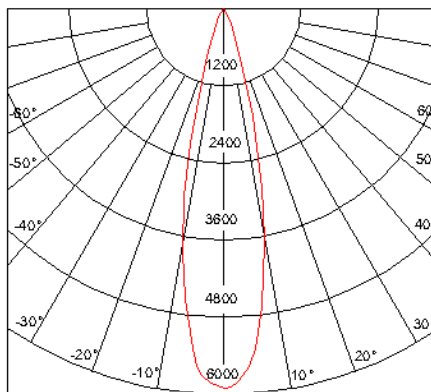


D Distance To Fixture From Wall Or Floor
FC Initial Footcandle Level At Center Of Beam
L Beam Length (where candlepower drops to 50% of maximum)
W Beam Width (where candlepower drops to 50% of maximum)

JHT-LED210S (12DEG)			
0° Aiming Angle			
D(ft)	FC	W	L
6	493	1.2	1.2
9	219	1.7	1.7
12	123	2.3	2.3
15	79	2.9	2.9
45° Aiming Angle			
D(ft)	FC	W	L
6	174	1.6	2.3
9	77	2.5	3.5
12	44	3.3	4.7
15	28	4.1	5.8



JHT-LED210F (25DEG)			
0° Aiming Angle			
D(ft)	FC	W	L
6	166	2.3	2.3
9	74	3.5	3.5
12	41	4.7	4.7
15	27	5.8	5.8
45° Aiming Angle			
D(ft)	FC	W	L
6	59	3.3	4.8
9	26	4.9	7.3
12	15	6.6	9.7
15	9	8.2	12.1



The above photometric data is for 4500K LED. For 3000K, multiply by 0.8